

● WELDING VENTILATION

● STORAGE CABINETS

● WELDING BOOTHS

● CUTTING TABLES

● SMALL ENGINE

● AUTOMOTIVE

● MANIFOLDS

● RACKS

# PIGMI

Greene Manufacturing, Inc.



Quality



Durability



Service

# Installation Photos



Industrial Training Welding Lab



GTV and WC Series Storage



Vocational Welding Lab



Industrial Training Center



GMI has been specializing in the educational furniture and equipment market for 39 years. We offer a comprehensive line of quality products backed by outstanding customer service.

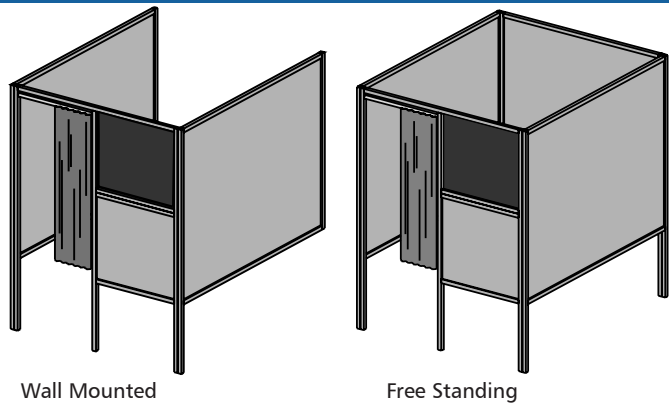
GMI is more than just a manufacturer of great products. We will assist in the complete design and functionality of your facility and provide layout drawings and specifications for the products.

Visit us on the web @[www.Greenemfg.com](http://www.Greenemfg.com) to see our full product line and request other GMI product catalogs.

<b>Welding Booths</b>	<b>2-3</b>	<b>Buffer Guards</b>	<b>33</b>
Window Front Booths	2	Buffer Guards	33
Open Front Booths	2	Bottom Draw	33
Demonstration Booths	3	<b>Automotive</b>	<b>33-35</b>
Panel Front Booths	3	Tear Down Bench	33
<b>Booth Mounted Tables</b>	<b>4</b>	Auto/Diesel Run Stands	34
Front to Rear Mounting	4	Engine Rotator	34
Side to Side Mounting	4	Tire Rack	35
<b>Welding Tables</b>	<b>5-11</b>	<b>Small Engine</b>	<b>35</b>
Gas/Arc/Layout	5	Engine Run Stands	35
Shielded Gas	5	Small Engine Exhaust	35
Arc Welding - Grate Top	6	<b>Extreme Duty Table/Stool</b>	<b>36</b>
Arc Welding Steel Top	6	Extreme Duty Tables	36
Wall Mounted	6	Stools	36
Four Station Gas	7		
Gas/Arc Combination	8-10		
Weld Stand Multiple Position	11		
<b>Grinding Benches</b>	<b>10</b>		
Single Station	10		
Dual Station	10		
<b>Accessories/Misc</b>	<b>11-12</b>		
Quench Tanks	11		
Gas Manifolds	11		
Rod Holders	12		
Weld Bend Tester	12		
Replaceable Grates	12		
Welding Booth Curtains	12		
Grate Tops	12		
<b>Cutting Tables</b>	<b>13</b>		
Open and Downdraft	13		
<b>Welding Exhaust</b>	<b>14-17</b>		
Torpedo Exhaust Fans	14		
Overhead Exhaust Hoods	14-15		
Welding Booth Vent Bodies	15		
Flexible Exhaust Arms	16		
Radial Exhaust Fans	16		
Exterior Roof Fans	17		
<b>Storage Cabinets</b>	<b>18-24</b>		
Extreme Duty Cabinets	18-21		
Premium Storage Cabinets	22		
Tool Storage Cabinets	23		
Rod Storage Cabinet	24		
<b>Storage Shelving/Racks</b>	<b>24-32</b>		
Bin Storage	24		
Open Shelving	25		
Modular Shelving	26-28		
Vertical Storage Racks	29		
Compact Storage Rack	29		
Cantilever Racks	30-31		
GMCR-Work Bench	32		
GSR-GWR Wall Racks	32		

## Window Front Booths

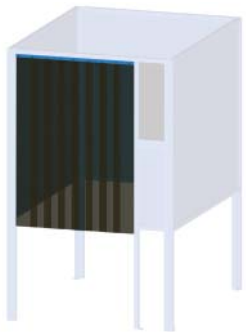
- ▶ Constructed of heavy 16 gauge tubular steel with non-conducting, asbestos-free, fire resistant panels.
  - ▶ Overall Height: 84"H door panel / 76"H sides and back.
  - ▶ Available with optional steel reinforcement sheets inserted between the fire resistant panels. **\*See Note**
  - ▶ A #10 shade observation window on front panel allows safe viewing from outside the booth.
  - ▶ Booths come in either starter or add-on units. One starter unit per row.
  - ▶ Available in Safety Green, Safety Blue & Structural Gray.
  - ▶ Optional bronze strip curtain door fronts available.
- \* See Note**



**\*Booth Mounted Tables Require Optional Mounting Plates -**

### Special Sizes Available

Bronze Strip Curtain Option



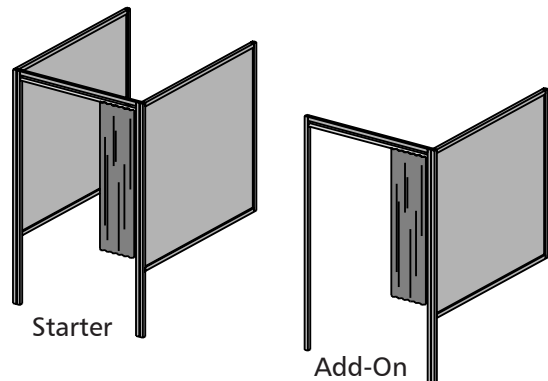
**\* Add .SC To Part Number**

Booth Size	Door Size	Window Size	Type	Wall Mounted	Free Standing
48"w x 48"d	35.5"w	10"w x 24"h	Starter	GB-74.S	GB-74.04.S
			Add-On	GB-74.A	GB-74.04.A
48"w x 60"d	35.5"w	10"w x 24"h	Starter	GB-724.02.S	GB-724.S
			Add-On	GB-724.02.A	GB-724.A
60"w x 60"d	27.5"w	30"w x 24"h	Starter	GB-725.02.S	GB-725.S
			Add-On	GB-725.02.A	GB-725.A
60"w x 72"d	27.5"w	30"w x 24"h	Starter	GB-7256.02.S	GB-7256.S
			Add-On	GB-7256.02.A	GB-7256.A
72"w x 72"d	39.5"w	30"w x 24"h	Starter	GB-7266.02.S	GB-7266.S
			Add-On	GB-7266.02.A	GB-7266.A

**\*For steel reinforced panels add the suffix .STL (Ex: GB-74.S.STL)**

## Open Front Booths

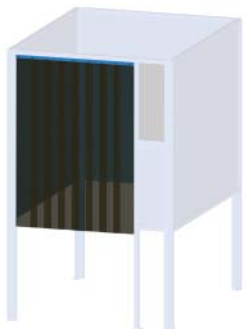
- ▶ Constructed of heavy 16 gauge tubular steel with non-conductive, asbestos-free, fire resistant panels.
  - ▶ Overall height: 84"H door panel / 76"H sides and back.
  - ▶ Available with steel reinforcement sheets inserted between the fire resistant panels. **\* See Note**
  - ▶ Booths come in either starter or add-on units. One starter unit per row.
  - ▶ Available in Safety Green, Safety Blue, or Structural Gray.
  - ▶ Optional bronze strip curtain door fronts available.
- \*See Note**



**\*Booth Mounted Tables Require Optional Mounting Plates -**

### Special Sizes Available

Bronze Strip Curtain Option

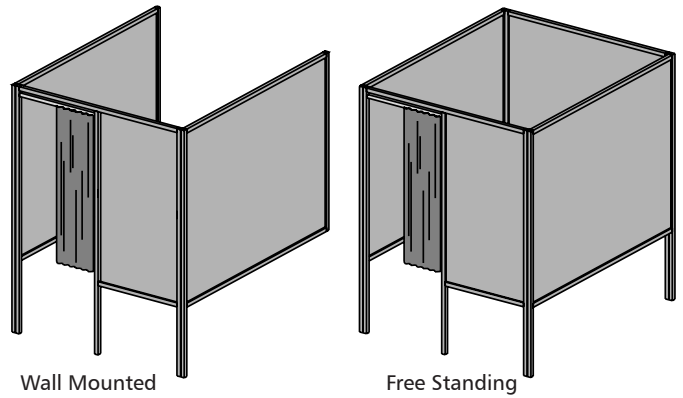


**\* Add .SC To Part Number**

Booth Size	Door Size	Type	Wall Mounted	Free Standing
48"w x 48"d	43"w	Starter	GB-74.S-CO	GB-74.04-CO
		Add-On	GB-74.A-CO	GB-74.04.A-CO
48"w x 60"d	43"w	Starter	GB-724.02.S-CO	GB-724.S-CO
		Add-On	GB-724.02.A-CO	GB-724.A-CO
60"w x 60"d	55"w	Starter	GB-725.02.S-CO	GB-725.S-CO
		Add-On	GB-725.02.A-CO	GB-725.A-CO
60"w x 72"d	55"w	Starter	GB-7256.02.S-CO	GB-7256.S-CO
		Add-On	GB-7256.02.A-CO	GB-7256.A-CO
72"w x 72"d	67"w	Starter	GB-7266.02.S-CO	GB-7266.S-CO
		Add-On	GB-7266.02.A-CO	GB-7266.A-CO

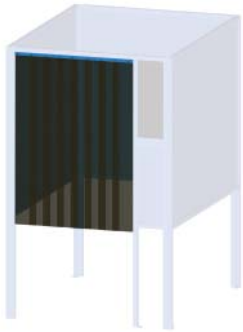
**\*For steel reinforced panels add the suffix .STL (Ex: GB-74.S.STL)**

- ▶ Constructed of heavy 16 gauge tubular steel with non-conducting, asbestos-free, fire resistant panels.
- ▶ Overall Height: 84"H door panel / 76"H sides and back.
- ▶ Available with optional steel reinforcement sheets inserted between the fire resistant panels. \*See Note
- ▶ Booths come in either starter or add-on units. One starter unit per row.
- ▶ Available in Safety Green, Safety Blue, or Structural Gray.
- ▶ Optional bronze strip curtain door fronts available.



Special Sizes Available

Bronze Strip Curtain Option



\* Add .SC To Part Number

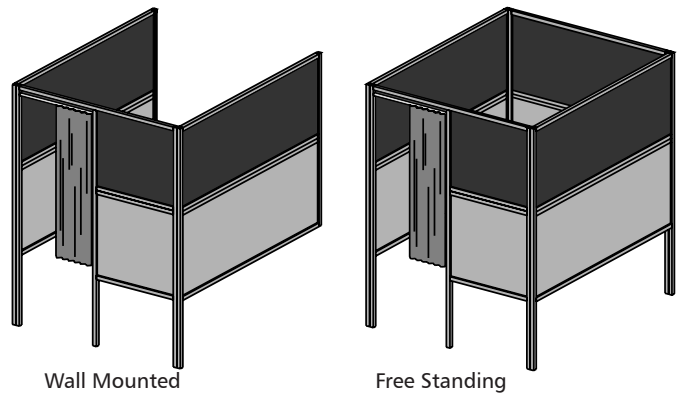
\*Booth Mounted Tables Require Optional Mounting Plates -

Booth Size	Door Size	Type	Wall Mounted	Free Standing
48"w x 48"d	35.5"w	Starter	GB-74.01.S	GB-74.05.S
		Add-On	GB-74.01.A	GB-74.05.A
48"w x 60"d	35.5"w	Starter	GB-724.03.S	GB-724.01.S
		Add-On	GB-724.03.A	GB-724.01.A
60"w x 60"d	27.5"w	Starter	GB-725.03.S	GB-725.01.S
		Add-On	GB-725.03.A	GB-725.01.A
60"w x 72"d	27.5"w	Starter	GB-7256.03.S	GB-7256.01.S
		Add-On	GB-7256.03.A	GB-7256.01.A
72"w x 72"d	39.5"w	Starter	GB-7266.03.S	GB-7266.01.S
		Add-On	GB-7266.03.A	GB-7266.01.A

\*For steel reinforced panels add the suffix .STL (Ex: GB-74.S.STL)

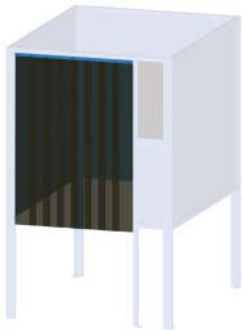
Demonstration Booths

- ▶ Constructed of heavy 16 gauge tubular steel with non-conductive, asbestos-free, fire resistant panels.
- ▶ Available with optional steel reinforcement sheets inserted between the fire resistant panels. \*See Note
- ▶ Overall height: 84"H door panel / 76"H sides and back.
- ▶ Observation windows on front & side allow safe viewing from outside the booth.
- ▶ Available in Safety Green, Safety Blue, or Structural Gray.
- ▶ Optional bronze strip curtain door fronts available.



Special Sizes Available

Bronze Strip Curtain Option



\* Add .SC To Part Number

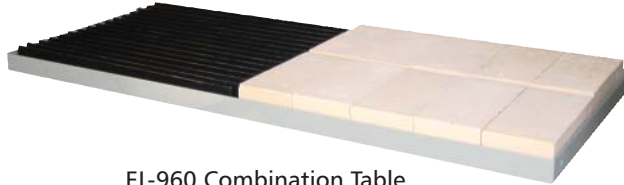
\*Booth Mounted Tables Require Optional Mounting Plates -

Booth Size	Door Size	Window Size	Type	Wall Mounted	Free Standing
48"w x 48"d	32"w	10"w x 24"h	Starter	GB-74.S-DM	GB-74.04-DM
			Add-On	GB-74.A-DM	GB-74.04.A-DM
48"w x 60"d	32"w	10"w x 24"h	Starter	GB-724.02.S-DM	GB-724.S-DM
			Add-On	GB-724.02.A-DM	GB-724.A-DM
60"w x 60"d	26"w	30"w x 24"h	Starter	GB-725.02.S-DM	GB-725.S-DM
			Add-On	GB-725.02.A-DM	GB-725.A-DM
60"w x 72"d	26"w	30"w x 24"h	Starter	GB-7256.02.S-DM	GB-7256.S-DM
			Add-On	GB-7256.02.A-DM	GB-7256.A-DM
72"w x 72"d	39"w	30"w x 24"h	Starter	GB-7266.02.S-DM	GB-7266.S-DM
			Add-On	GB-7266.02.A-DM	GB-7266.A-DM

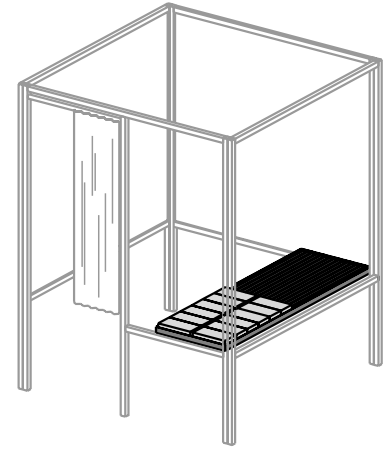
\*For steel reinforced panels add the suffix .STL (Ex: GB-74.S.STL)

## Booth Mounted Tables - Front to Rear Mounting

- ▶ Heavy 11 gauge steel angle frame.
- ▶ 19.5" d frame mounts to GMI Welding Booths.
- ▶ Grate top tables include slag shield.
- ▶ Requires booth mounting plates.
- ▶ Optional solid 3/8" steel top.
- ▶ Available in Safety Green, Safety Blue, or Structural Gray.



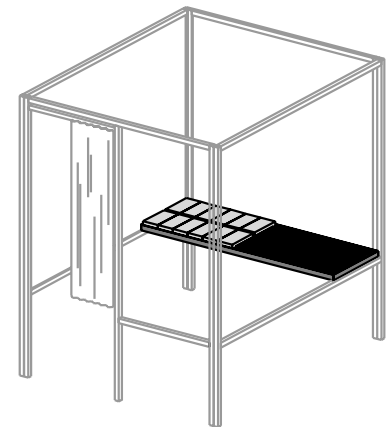
EL-960 Combination Table



Fits Booth Size	Fire Brick	Grate Size	Steel Top	Part Number
60" d Free Standing	2 Rows of 6	19" d x 30" w	N/A	EL-960
60" d Wall Mounted	2 Rows of 6	19" d x 30" w	N/A	EL-960-01
60" d Free Standing	N/A	N/A	19.25" w x 58.00	EL-960.STL
60" d Wall Mounted	N/A	N/A	19.25" w x 58.75	EL-960-01.STL
72" d Free Standing	2 Rows of 8	19" d x 34.25" w	N/A	EL-972
72" d Wall Mounted	2 Rows of 8	19" d x 34.25" w	N/A	EL-972.01
72" d Free Standing	N/A	N/A	19.25" w x 70.00	EL-972.STL
72" d Wall Mounted	N/A	N/A	19.25" w x 70.75	EL-972.01.STL

## Booth Mounted Tables - Side to Side Mounting

- ▶ Heavy 11 gauge steel angle frame.
- ▶ 19.5" d frame mounts to GMI Welding Booths.
- ▶ Grate top tables include slag shield.
- ▶ Requires booth mounting plates.
- ▶ Optional solid 3/8" steel top.
- ▶ Available in Safety Green, Safety Blue, or Structural Gray.



Fits Booth Size	Fire Brick	Grate Size	Steel Top	Part Number
48" w Starter	2 Rows of 5	19" d x 22" w	N/A	EL-948.S
48" w Add-On	2 Rows of 5	19" d x 23.25" w	N/A	EL-948.A
48" w Starter	N/A	N/A	19.25" d x 46.00" w	EL-948.S-STL
48" w Add-On	N/A	N/A	19.25" d x 47.25" w	EL-948.A-STL
60" w Starter	2 Rows of 6	19" d x 30" w	N/A	EL-960-02.S
60" w Add-On	2 Rows of 6	19" d x 31.25" w	N/A	EL-960-02.A
60" w Starter	N/A	N/A	19.25" d x 58.00" w	EL-960.02.S-STL
60" w Add-On	N/A	N/A	19.25" d x 59.25" w	EL-960-02.A-STL
72" w Starter	2 Rows of 8	19" d x 34.25" w	N/A	EL-972-02.S
72" w Add-On	2 Rows of 8	19" d x 35.50" w	N/A	EL-972-02.A
72" w Starter	N/A	N/A	19.25" d x 70.00" w	EL-972.02.S-STL
72" w Add-On	N/A	N/A	19.25" w x 71.25	EL-972.02.S-STL

- ▶ All welded construction of heavy 11 gauge steel.
- ▶ Work surface height: 34".
- ▶ Grouted firebrick work surface includes raised grounding rails.
- ▶ 3/8" steel top is reinforced to prevent warping.
- ▶ All models include floor anchor pads.
- ▶ Available in Safety Green, Safety Blue, or Structural Gray.



GT-8.STL Steel Top



GT-2 Brick Top



GT-8.STL Installed

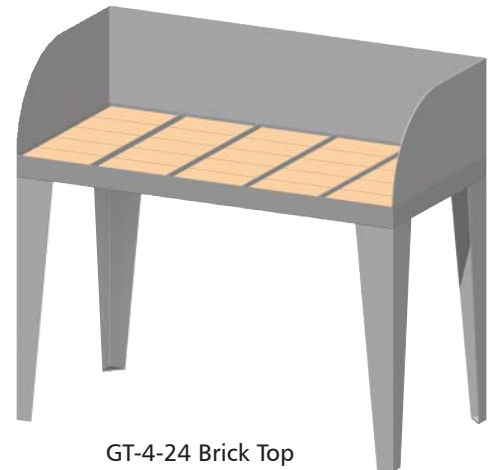
Table Size	Grouted Brick Top Table	3/8" Steel Top Table
30"w x 25"d x 33.75"h	GT-2	GT-2.STL
50"w x 25"d x 33.75"h	GT-4	GT-4.STL
72"w x 41"d x 33.75"h	GT-7	GT-7.STL
91"w x 41"d x 33.75"h	GT-8	GT-8.STL

### Shielded Gas Welding Tables

- ▶ All welded construction of heavy 11 gauge steel.
- ▶ Work surface height: 34".
- ▶ Grouted firebrick work surface includes raised grounding rails.
- ▶ 3/8" steel top is reinforced to prevent warping.
- ▶ All models include floor anchor pads.
- ▶ Available in Safety Green, Safety Blue, or Structural Gray.



GT-2-24 Brick Top



GT-4-24 Brick Top

Table Size	Side Shield Height	Grouted Brick Top Table	3/8" Steel Top Table
30"w x 25"d x 33.75"h	12" Above Work Surface	GT-2-12	GT-2-12.STL
50"w x 25"d x 33.75"h	12" Above Work Surface	GT-4-12	GT-4-12.STL
30"w x 25"d x 33.75"h	24" Above Work Surface	GT-2-24	GT-2-24.STL
50"w x 25"d x 33.75"h	24" Above Work Surface	GT-4-24	GT-4-24.STL

## Small Arc Welding Tables

- ▶ All welded construction of heavy 11 gauge steel.
- ▶ Work surface height: 34".
- ▶ Standard 1.5" x 3/16" bar grate work surface
- ▶ Optional 3/8" steel top is reinforced to prevent warping.
- ▶ All models include floor anchor pads.
- ▶ Available in Safety Green, Safety Blue, or Structural Gray.



Table Size	Grate Top Table	3/8" Steel Top Table
30"w x 24"d x 33.75"h	GT-774	GT-774.STL
36"w x 25"d x 33.75"h	GT-776	GT-776.STL
48"w x 25"d x 33.75"h	GT-778	GT-778.STL



Add .SS to Model #

Side Shield Option

- ▶ 14 gauge side and back shields
- ▶ 24"h from work surface
- ▶ Bolts to work table frame



Add .CO to Model #

Curtain Option

- ▶ Curtain bar 78" from floor
- ▶ Includes (4) 60"w x 48"h SC-4 smoke gray curtains
- ▶ Side shield option recommended
- ▶ Ships unassembled



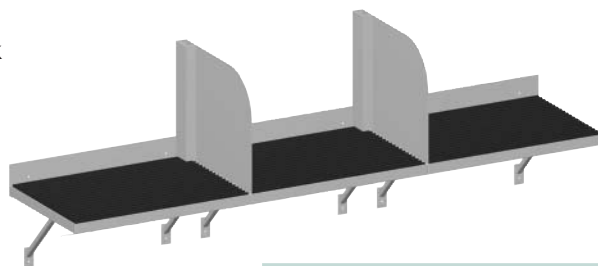
GT-TB-100

Tool Box Option

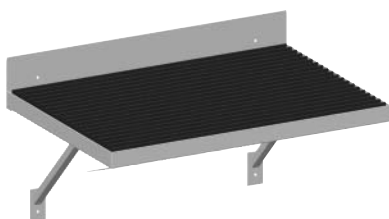
- ▶ 16 gauge steel construction
- ▶ 13"w x 24"d x 13"h
- ▶ Bolts to work table frame

## Wall Mounted Arc and Gas Welding Tables

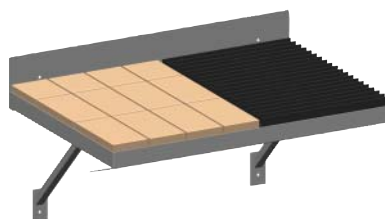
- ▶ Frame features 7 and 11 gauge steel construction.
- ▶ Available with a grate, 3/8 steel, or combination brick work surfaces.
- ▶ Optional side shields provide protection for students.
- ▶ Available in Safety Green, Safety Blue, or Structural Gray.
- ▶ Arc spatter shield on front of table.
- ▶ Optional torch clips for gas welding stations.



\*Ideal for Block Wall Mounting



Grate Top



Brick/Grate Combination



Brick/Steel Combination

Table Size	Grate Top Table	3/8" Steel Top Table	Brick/Grate Combination	Brick/Steel Top Combination
36"w x 24"d	GT-673	GT-673.STL	GT-673.BR	GT-673.STL-BR
48"w x 24"d	GT-674	GT-674.STL	GT-674.BR	GT-674.STL-BR

Side Shield Size	Standard Side Shield	Side Shield with Hose Guard	Torch Clip For Gas Welding
25"d x 24"h	GT-673-SS	GT-673.SSHG	TC-100



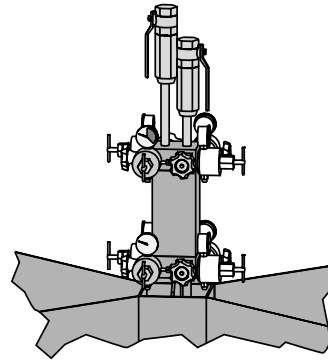
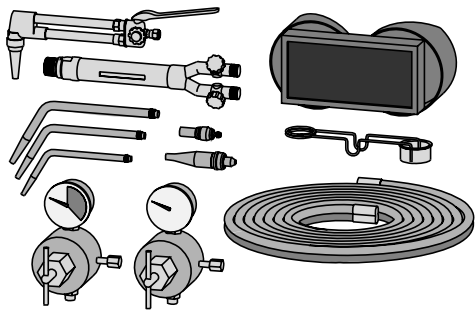
- ▶ All welded construction of heavy 3/16" thick steel.
- ▶ Gas distribution tower meets safety regulations.
- ▶ Includes (2) 1/2" ball valves and (2) one way check valves on Tower inlet.
- ▶ Fully grouted firebrick work surface.
- ▶ Four torch holders.
- ▶ Floor anchor pads.
- ▶ Optional welding packages.
- ▶ Optional storage drawers measure: 3"h X 12"w X 16"d.
- ▶ Available in Safety Green, Safety Blue, or Structural Gray.



GOA-4 Shown

Optional Welding Package Includes:

- ▶ Oxygen and acetylene regulators
- ▶ 12' Hoses
- ▶ Welding torches
- ▶ Goggles
- ▶ Strikers
- ▶ Cutting tips
- ▶ Cutting attachment
- ▶ #0, #2, and #4 welding tips



Tower Shown with Optional Valve and Regulator Package

Table Size	Work Surface Height	Side Shield Height	Base Table	Table w/ Regulators Only	Table w/ Complete Welding Package	Drawer Option
50"w x 50"d	34"h	24"h	GOA-4	GOA-4.VR	GOA-4.WP	ADD .DWR
60"w x 60"d	34"h	24"h	GOA-5	GOA-5.VR	GOA-5.WP	ADD .DWR

Arc Welding Station

- ▶ All welded construction of heavy 11 gauge steel with a 26" X 30" fire resistant non-asbestos fiber back shield.
- ▶ Overall size: 30"w X 25"d X 64"h.
- ▶ Work surface height: 34".
- ▶ One piece, replaceable steel grate top measures 29"w X 24"d.
- ▶ Drawer measures 4"h X 12"w X 18"d.
- ▶ A removable/adjustable curtain hanger holds 2 fire resistant, transparent, smoke gray curtains.
- ▶ Includes floor anchor pads and slag pan.
- ▶ Available in Safety Green, Safety Blue, or Structural Gray.



Model Number
GT-9

# Gas/Arc Combination Welding Tables

- ▶ All welded construction of heavy 11 gauge formed channel with a fire resistant, asbestos-free fiber back panel.
- ▶ Work area measures 19" d X 32" d.
- ▶ Choice of fire brick top with steel quench bucket or replaceable steel grate top with splash guard.
- ▶ Arc benches include two 60" X 48" smoke gray curtains on an adjustable curtain rod assembly.
- ▶ Welding package option includes: oxygen and acetylene regulators, hoses, welding torches, goggles.
- ▶ Strikers, cutting tips, cutting attachment, #0, #2, and #4 welding tips (shown on page 7).
- ▶ Manifold unit available on gas welding benches. (See photo at bottom of page).
- ▶ Available only in Black with a Safety Green back panel.



EL-10



EL-15



EL-16

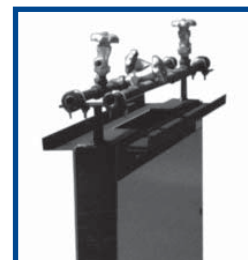
Description	Gas/Arc Combination	Two Station Gas	Two Station Arc	Single Station Gas	Single Station Arc
Base Bench	EL-10	EL-15	EL-20	EL-16	EL-21
Bench w/manifold and station valves	EL-100	EL-150	N/A	EL-160	N/A
Bench w/manifold, station valves, regulators	EL-1000	EL-1500	N/A	EL-1600	N/A
Bench w/manifold, station valves, regulators, welding package	EL-10000	EL-15000	N/A	EL-16000	N/A



EL-20



EL-21

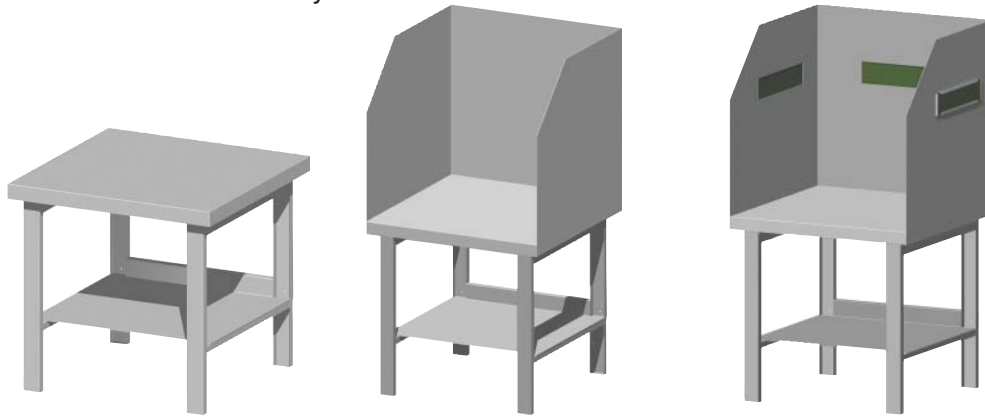


Manifold unit with shut-off valves

- ▶ Constructed of 14 gauge formed channel legs with a heavy 11 gauge steel pan top and 16 gauge steel shelf.
- ▶ Two sizes to choose from: 36" w X 36" d or 60" w X 36" d.
- ▶ Work surface height: 34".
- ▶ Optional 34" h shield bolts into place. Shield on 5' benches includes upper fume cover. All shields are available with (3) - 4" X 18" #10 shade observation windows.
- ▶ Gas welding benches have pan worksurface that accomodates optional firebrick.
- ▶ Other options available: Lockable drawer, vise arm, & curtain rod assembly with (2) - #7 shade, smoke gray curtains.
- ▶ Available in Structural Gray.



SELG-182 With Brick Option

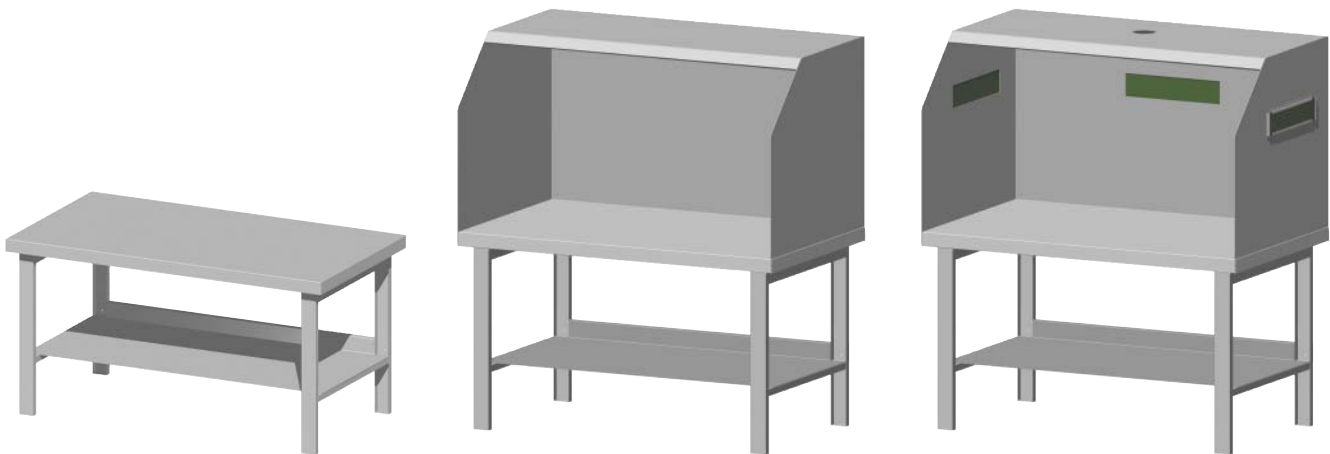


SELA-18

SELA-182

SELA-182.W

Description	3' Bench W/O Side Shields	3' Bench W/ Side Shields	3' Bench W/ Side Shields and Windows
Arc Welding Bench	SELA-18	SELA-182	SELA-182.W
Gas Welding Bench	SELG-18	SELG-182	SELG-182.W



SELA-211

SELA-2112

SELA-2112.W

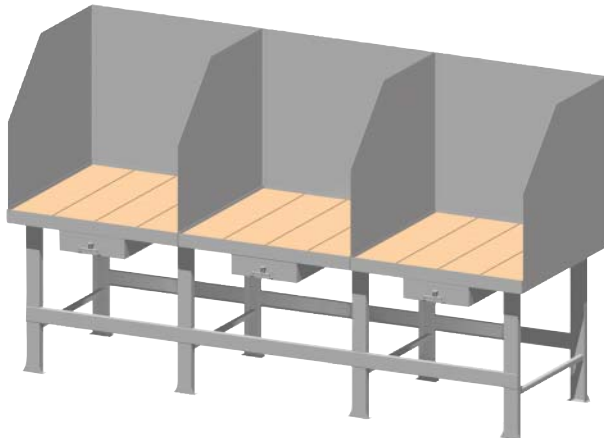
Description	5' Bench W/O Side Shields	5' Bench W/ Side Shields	5' Bench W/ Side Shields and Windows
Arc Welding Bench	SELA-211	SELA-2112	SELA-2112.W
Gas Welding Bench	SELG-211	SELG-2112	SELG-2112.W

Accessories

Drawer 14" w x 24" d x 4" h	Vise Mounting Arm	Curtain Rod Assembly 3' Bench	Curtain Rod Assembly 5' Bench	Set of Firebrick for 3' Bench	Set of Firebrick for 5' Bench
SEL-D	SEL-VA	SEL-CA-36	SEL-CA-60	SEL-32FB	SEL-54FB

## Three Station Welding Tables

- ▶ Constructed of 11 gauge steel base and 16 gauge steel upper assembly.
- ▶ Each of the three work areas measures 36" w X 36 1/2" d with an overall size of 108 1/2" l X 36 1/2" d X 65" h.
- ▶ Side shields are 34" h.
- ▶ Available with or without firebrick.
- ▶ Drawers measure 3" h X 14" w X 16" d and have a padlock hasp.
- ▶ Available in Structural Gray.



EL-109.DW Gas Table w/Brick Option



EL-209.DW Gas Table w/Brick Option

Description	Gas Welding w/Brick	Gas Welding w/o Brick	Arc Welding
Three Station Bench	EL-109	EL-109.NB	EL-209
Three Station Bench with Drawer Option	EL-109.DW	EL-109.NB-DW	EL-209.DW

## Hand Grinding Station

- ▶ All welded construction of 11 gauge steel.
- ▶ Replaceable steel grate work surface measures 35" w X 24" d.
- ▶ 5" tapered air vacuum inlet runs along the back of the bench.
- ▶ Hinged, locking door on the front of the bench allows easy cleaning of the work surface.
- ▶ 110V outlets located on the front leg are wired to a 6' cord & plug. 36" w station has (1) duplex - 72" w station has (2) duplex outlets.
- ▶ Optional Dust Collection Unit available. See Page(17).
- ▶ Floor anchor pads included.
- ▶ Available in Safety Green, Safety Blue, or Structural Gray.

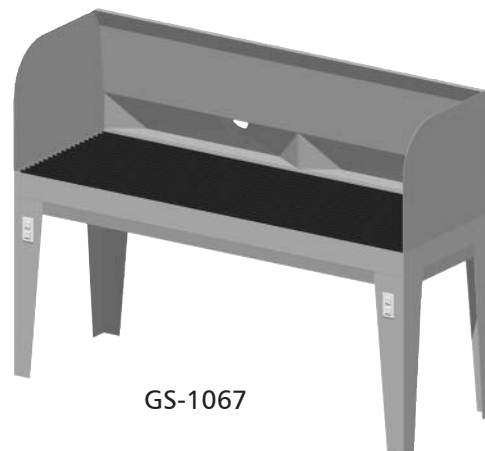


GS-967

Size	Description	Model Number
36" w x 37" d x 53" h	Hand Grinding Station - (1) 5" Outlet	GS-967
72" w x 37" d x 53" h	Hand Grinding Station - (2) 5" Outlet	GS-1067



GS-967 Two Station Shown with GSE-100 Dust Collection



GS-1067

## Free Standing Positioner

- ▶ Heavy duty all welded construction.
- ▶ 4" C clamp mounted to swivel arm.
- ▶ Maximum height: 78".
- ▶ Arm slides & rotates 360 degrees.
- ▶ 18" w X 18" d height adjustable, removable worktable.
- ▶ Work Table will rotate 360 degrees.
- ▶ Available in Black only.



Table Mounted



Free Standing

## Table Mounted Positioner

- ▶ All welded construction.
- ▶ Overall height: 42"
- ▶ Designed to fit GMI arc or gas welding tables.
- ▶ Available in Black only.

Description	Model Number
Weld Stand - Free Standing	GT-14
Grate Top Table Mount	GWP-2
Grouted Top Table Mount	GWP-1

## Quenching Tanks

- ▶ All welded construction of heavy 11 gauge steel.
- ▶ 4" h legs.
- ▶ Includes a cover, 3/4" NPT drain, and 3/4" NPT overflow.
- ▶ Available in stainless steel.
- ▶ Available in Safety Green, Safety Blue, or Structural Gray.



Tank Size	Steel Model Number	Stainless Steel Model Number
24" w x 24" d x 24" h	GQT-1022	GQT-1022.SS
36" w x 24" d x 24" h	GQT-2022	GQT-2022.SS
48" w x 24" d x 24" h	GQT-3022	GQT-3022.SS
60" w x 24" d x 24" h	GQT-4022	GQT-4022.SS

## Gas Distribution Manifolds



Oxygen/Inert Gas Manifolds



Fuel Gas Discharging Manifolds

GMI has a full line of gas distribution manifolds available to fit most applications. Please contact your factory rep or our customer service department for assistance with manifold requirements.

- ▶ Fuel Gas Manifolds
- ▶ Oxygen/Inert Gas Manifolds
- ▶ CO2 Manifolds
- ▶ Station Drops
- ▶ Flow Meters/Regulators

## Replacement Parts

Quality original replacement parts for your GMI equipment. Please contact your local GMI representative or call us direct for a full listing of available replacement parts and accessories.

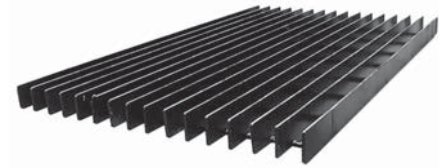
Size	Description	Model Number
18"d x 30"w	1 1/2" Steel Grate Top	RG-1830
24"d x 30"w	1 1/2" Steel Grate Top	RG-2430
24"d x 36"w	1 1/2" Steel Grate Top	RG-2436
24"d x 48"w	1 1/2" Steel Grate Top	RG-2448

Size	Description	Model Number
48"h x 36"w	Smoke Gray Curtain	C36
48"h x 48"w	Smoke Gray Curtain	C48
48"h x 60"w	Smoke Gray Curtain	C60
60"d x 9"w	Yellow Strip Curtain - Single Strip	SC-9Y

Qty	Description	Fits	Model Number
13	Fire Brick	Single EL-Series Work Surface	RB-13
32	Fire Brick	SELG-Series 36" Tables	RB-32
48	Fire Brick	GOA-4 Gas Welding Tabbles	RB-48-GOA
54	Fire Brick	SELG-60" Tables	RB-54

### Replacment Parts For:

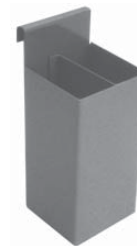
- ▶ Welding Booth Panels
- ▶ Welding Curtains
- ▶ Steel Grate Tops
- ▶ Firebrick



## Rod Holder

- ▶ All welded construction of 16 gauge steel.
- ▶ Overall size: 10"h x 4"w x 4 1/2"d.
- ▶ Hanging bracket designed to fit over GMI welding tables.
- ▶ Divided into two 2" compartments.
- ▶ Available in Safety Green, Safety Blue, or Structural Gray.

Model Number
GQ-2



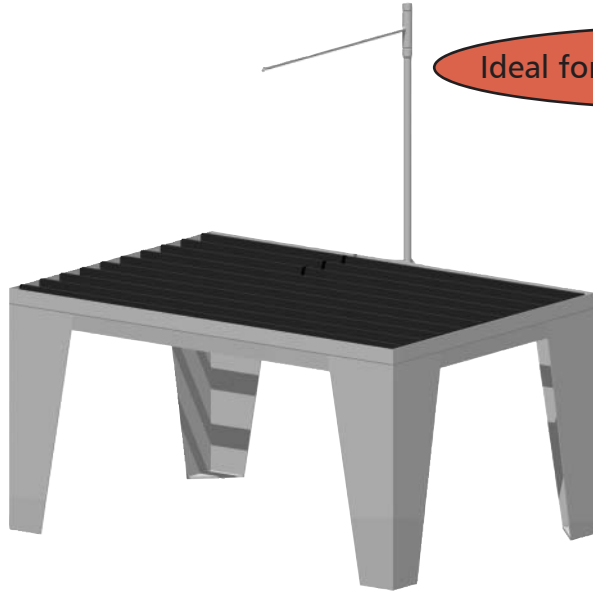
## Weld Bend Tester

- ▶ Heavy steel construction with a plexiglass safety deflection guard.
- ▶ Overall size: 6"w X 8"d X 12 1/2"h.
- ▶ Loads & deforms weld samples in a controlled manner with 8000psi applied pressure.
- ▶ Test samples up to 5/8" thick X 2"w X 10"l
- ▶ 1" bending rollers and a 1" solid steel bending pin create a 2 1/4" bending radius.
- ▶ 6" stroke distance.
- ▶ Available in Safety Green.

Model Number
GBT-9000.G



- ▶ All welded construction of heavy 7 and 11 gauge steel.
- ▶ Available in two standard sizes.
- ▶ Floor anchor pads are standard on all models.
- ▶ Tables feature 1/2" x 2" removable bar work surface.
- ▶ Optional hose mounting arm .
- ▶ Available in Safety Green, Safety Blue, or Structural Gray.
- ▶ Optional underside enclosure available with an access door for clean out and manual damper for 12" exhaust duct. Down Draft tables require separate power head. See Ventilation Section.



GFM-900 with Optional Swing Arm



GFM-900.VH with Optional Swing Arm

Ideal for Plasma and Flame Cutting

Size	Description	Model Number
58 1/2" w X 41" d X 34" h	Cutting Table - Open Bottom	GFM-900
58 1/2" w X 41" d X 34" h	Cutting Table - Lower Slag Pan	GFM-900.C
58 1/2" w X 41" d X 34" h	Cutting Table - Bottom Enclosure - 12" Dia. Ventilation Connection	GFM-900.VH
36" w X 24" d X 34" h	Cutting Table - Lower Slag Pan	GT-520
36" w X 24" d X 34" h	Cutting Table - Lower Slag Pan - 12" Square Burn Out Hole	GT-520.H
36" w X 24" d X 34" h	Cutting Table - Bottom Enclosure - 12" Dia. Ventilation Connection	GT-520.VH
36" h x 22" w	Optional Swivel Hose Mounting Arm	GFM-SWA



GT-520



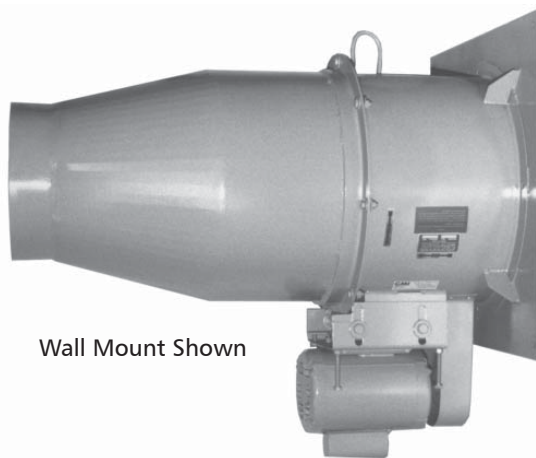
GT-520.H



GT-520.VH

## Torpedo Exhaust Fan

- ▶ Continuous welded construction of 14 gauge steel.
- ▶ Ideal for exhausting multiple welding booths or GOA-4 welding tables. See table below for recommendations.
- ▶ Wall mounted exhausts include mounting plate and exterior shutter.
- ▶ Roof mounted exhausts include mounting flange and hanger brackets.
- ▶ Six blade non-sparking fan is powered by a sealed, 60 cycle, 3 phase motor with overload protection.
- ▶ Drive belts have a safety guard.
- ▶ Available in Safety Green or Safety Blue.
- ▶ Motor starter and On/Off switches not included.



Wall Mount Shown

Part Number	Mounting Style	Overall Size (L x W)	Fan Housing Diameter	Duct Diameter	Motor HP	Voltage Requirement	CFM @ 0" SP	CFM @ 1/2" SP
GAV-18.P	Wall	45" x 20"	18"	12"	1	110/220/1	5100	4010
GAV-18.PV	Roof	45" x 20"	18"	12"	1	110/220/1	5100	4010
GAV-24.P	Wall	57" x 28"	24"	18"	3	220/440/3	11030	9760
GAV-53.P	Roof	57" x 28"	24"	18"	3	220/440/3	11030	9760
GAV-56.PH	Wall	46" x 34"	30"	24"	5	220/440/3	17750	14840
GAV-56.P	Roof	46" x 34"	30"	24"	5	220/440/3	17750	14840

### GMI EXHAUST RECOMMENDATIONS - Contact GMI for Complete Exhaust Details

GMI Welding Products	Exhaust Fan Recommendation
3-4 Welding booths (p.2-3) using GAV-1.STR vents (p.15) OR 1-2 GOA-4 welding tables (p.7) using GAV-4 vent hoods (p.15)	GAV-18.P GAV-18.PV
5-7 Welding booths (p.2-3) using GAV-1.STR vents (p.15) OR 3-4 GOA-4 welding tables (p.7) using GAV-4 vent hoods (p.15)	GAV-24.P GAV-53.PV
10-12 Welding booths (p.2-3) using GAV-1.STR vents (p.15) OR 5-6 GOA-4 welding tables (p.7) using GAV-4 vent hoods (p.15)	GAV-56.PH GAV-56.P

## Wall Mounted Overhead Exhaust Hood

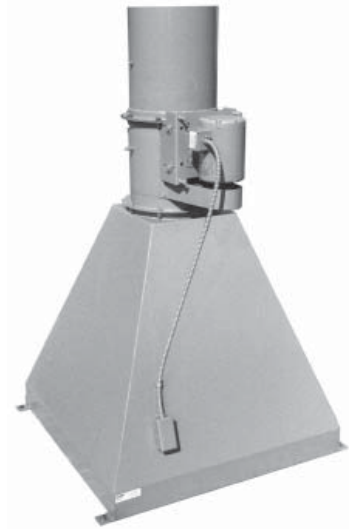
- ▶ All welded construction of 14 gauge steel.
- ▶ Recommended for overhead exhausting of welding table.
- ▶ Includes two wall mounting brackets.
- ▶ Optional exhaust fan is powered by a 1/2HP, 3 PH, 110V motor. Fan has a maximum draw of 1900 CFM.
- ▶ Available in Safety Green or Safety Blue.
- ▶ Motor starter and On/Off switches not included.

Description	Model Number
Wall Mounted Hood - No Power	GAV-3
Wall Mounted Hood W/Power Head	GAV-3P





- ▶ All welded construction of 14 gauge steel.
- ▶ Recommended for overhead exhausting of GOA-4 or GOA-5 oxy-acetylene welding tables (p.8).
- ▶ Exhaust opening is 12" in diameter.
- ▶ Includes four hanging brackets for ceiling mounting.
- ▶ Optional exhaust fan is powered by a 1/2HP, 3PH, 110V motor.
- ▶ Fan has a maximum draw of 1900 CFM.
- ▶ Available in Safety Green and Safety Blue.
- ▶ Motor starter and On/Off switches not included.

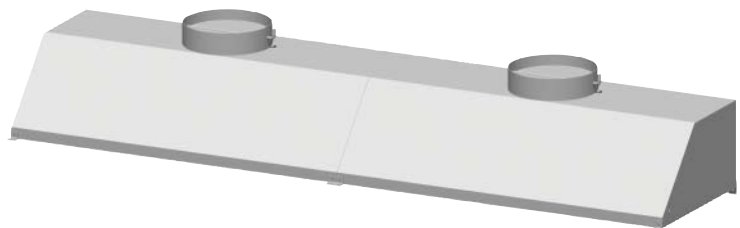


Size	Description	Model Number
36" w x 36" d x 54" h	Overhead Hood - No Power	GAV-4
36" w x 36" d x 68" h	Overhead Hood - With Power Head	GAV-4.P
48" w x 48" d x 54" h	Overhead Hood - No Power	GAV-5
48" w x 48" d x 68" h	Overhead Hood - With Power Head	GAV-5.P

## Low Profile Overhead Exhaust Hoods

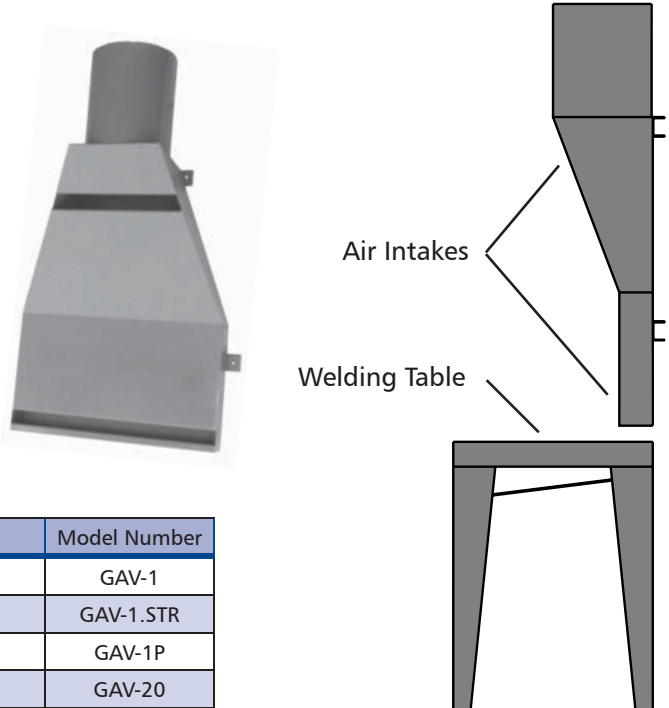
- ▶ All welded construction of 16 gauge steel.
- ▶ Designed for installation over in-line booths or tables.
- ▶ Can be mounted to the wall or suspended from the ceiling.
- ▶ Tapered hood directs fumes into a 12" diameter manual damper.
- ▶ Edges are rolled for strength & safety.
- ▶ Available in Safety Green or Safety Blue.

Size	Model Number
36" w x 22" d x 15" h	GAV-140.D
48" w x 22" d x 15" h	GAV-160.D
60" w x 22" d x 15" h	GAV-180.D
72" w x 22" d x 15" h	GAV-190.D



## Welding Booth Vent - Horizontal Draw

- ▶ All welded construction of 14 gauge steel.
- ▶ Recommended for exhausting any GMI welding booth. Mounts to the wall above welding table.
- ▶ Two 2"H air intakes run the width of the hood.
- ▶ Optional exhaust fan is powered by a 1/2HP, 110V motor. Fan has a maximum draw of 1900 CFM & includes exterior shutter for outside wall.
- ▶ Square to round option transitions the exhaust opening to a 12" diameter outlet with manual damper.
- ▶ Available in Safety Green or Safety Blue.
- ▶ Motor starter and On/Off switches not included.



Size	Description	Model Number
28" w x 13" d x 40" h	Vent Body with 4" x 18" Square Outlet	GAV-1
28" w x 13" d x 42" h	Vent Body with 12" OD Outlet	GAV-1.STR
28" w x 13" d x 56" h	Vent Body with 12" Power Head	GAV-1P
50" w x 13" d x 42" h	Vent Body with 12" OD Outlet	GAV-20
50" w x 13" d x 56" h	Vent Body with 12" Power Head	GAV-20.P

## Exhaust Collection Arms

Flexible exhaust arms are designed for use in welding booths and over work tables. Easily positions around a 300 degree radius.

- ▶ Arm bracket.
- ▶ Tensioned spring.
- ▶ Universal joint.
- ▶ 84" Hose Length.
- ▶ Can be turned 110° in all directions.
- ▶ Hood collar with manual shut-off damper.
- ▶ Counterweight and counterweight tube.
- ▶ Recommended 800CFM Per Arm.
- ▶ Hood opening Ø 11.8"/300 mm.
- ▶ Counterweight and counterweight tube.
- ▶ Three-part square-section telescopic tube with nylon bushings.
- ▶ Joints with friction pads for adjustment of tension of arm.
- ▶ Hood with safety mesh and quick-fit coupling.
- ▶ Wall mounting bracket with ball-bearings and inlet spigot Ø 6.25"/160 mm.
- ▶ Flame-proof double skin flexible hose of PVC-coated woven polyamide with internal steel spiral.



Optional individual power head provides single arm venting for up to 30' of duct. 208/230/460 volt - 3PH motors. Motor starter and on/off switch not included. Contact GMI customer service for additional information.

Model Number	Description
GFA-500 -84-NP	Flex Arm - 84" - No Power
GFA-500 -84-1300PWR	Flex Arm - 84" - With 765 CFM Power Head
GFA-500 -84-1800PWR	Flex Arm - 84" - With 836 CFM Power Head
GFA-500 -84-2100PWR	Flex Arm - 84" - With 1115 CFM Power Head

## Radial Exhaust Fans

Fans are designed for use with flexible exhaust arms. Radial fans provide smooth airflow at higher static pressures.

- ▶ Easily removable fan assembly.
- ▶ Efficient airfoil fan design.
- ▶ Delivers more air at higher static pressure.
- ▶ Aluminum impeller.
- ▶ Motor starter, On/Off switches not included.



Part Number	Outlet Size (Inches)	O.A. Size (Inches)	Motor HP	Voltage Requirement	CFM @ 0" SP	CFM @ 3.5" SP
GAVRD-359-60	6-5/16 x 10	25-3/16 x 25-3/16 x 18-9/16	2.0	208-230/460V 3 Ph	2300	1500
GAVRD-559-60	7-7/8 x 12-11/16	30-7/8 x 30-7/8 x 21-11/32	5.0	208-230/460V 3 Ph	4100	3200
GAVRD-585-60	7-7/8 x 12-11/16	30-7/8 x 30-7/8 x 21-11/32	7.5	208-230/460V 3 Ph	4800	4200
GAVRD-745-60	8-21/32x 15-13/16	38-19/32 x 38-19/32 x 26	10	208-230/460V 3 Ph	6100	5500
GAVRD-768-60	8-21/32x 15-13/16	38-19/32 x 38-19/32 x 26	15	208-230/460V 3 Ph	7500	7000

Exterior roof exhausters work well exhausting welding booths with fixed vent body collectors. Heavy duty 10 gauge curb with internal stiffeners. Galvanized steel weather cover and wind band. Aluminum non sparking blade. Rubber stops on dampers for quiet operation. Weather seal on damper stop. Motor starter, On/Off switches not included.



- ▶ Exterior roof mounting.
- ▶ Includes roof damper.
- ▶ Aluminum non sparking blade.
- ▶ Motor starter, On/Off switches not included.

GMI Welding Products	Exhaust Fan Recommendation
3-4 Welding booths (p.2-3) using GAV-1.STR vents (p.15) OR 1-2 GOA-4 welding tables (p.7) using GAV-4 vent hoods (p.15)	GRE1800
5-7 Welding booths (p.2-3) using GAV-1.STR vents (p.15) OR 3-4 GOA-4 welding tables (p.7) using GAV-4 vent hoods (p.15)	GRE-2400
10-12 Welding booths (p.2-3) using GAV-1.STR vents (p.15) OR 5-6 GOA-4 welding tables (p.7) using GAV-4 vent hoods (p.15)	GRE-3000 GRE-3600

GMI EXHAUST RECOMMENDATIONS - Contact GMI for Complete Exhaust Details

Part Number	Fan Diameter	Curb Size (SQ. - ID)	Outlet Diameter	Motor HP	Voltage Requirement	CFM @ 0" SP	CFM @ 1/2" SP
GRE-1800	18"	32.75"	24	2	110/220/1	5561	5071
GRE-2400	24"	38.75"	30	3	110/220/1	10491	8977
GRE-3000	30"	44.75"	36	5	220/440/3	17245	15466
GRE-3600	36"	50.625"	42	7.5	220/440/3	24442	21723

Dust Collector

- ▶ Blower housing is constructed of 14 gauge steel with a heavy duty fiberglass drum lid.
- ▶ Fan is powered by a 1HP, single phase, 115-220V motor. The motor is fully enclosed & quiet in operation.
- ▶ Radial blade is cast aluminum & self-cleaning.
- ▶ Complete self-contained unit fits on any 55 gallon open ended steel drum. **Steel drum is not included.**
- ▶ Includes 60" long PVC, wire reinforced hose, after filter bag, Y-connector, connector hoses & clamps.
- ▶ No exposed moving parts.
- ▶ Designed to work with GMI hand grinding benches (p.12) and GMI buffer guards with bottom draws (p.33).
- ▶ Dolly cart available for easy mobility.



Drum Not Included

Model Number	Description
GSE-100.S	Dust Collector Power Head
GSE-DC	Optional Drum Base



Optional Drum Base



Extreme duty storage cabinets are manufactured to meet the demanding requirements of heavy use in tough environments. Constructed of 12 gauge steel exterior components featuring all welded construction. Doors are mounted on 3/8" steel pin with brass bushing, welded hinges, and allow 140 degrees of door swing. Solid steel handle accepts heavy padlock (not included). Three point latching system has a top and bottom 3/8" bar lock mechanism with a 3/16" steel plate center latch. Shelves are 14 gauge steel with formed edges. Shelves bolt into vertical supports on 1" centers. Bottom leg supports are 6" high and have floor anchor plates.

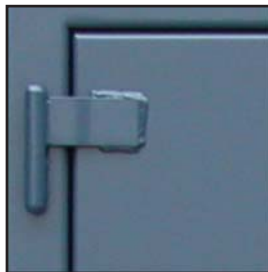
Heavy Duty



1500 lb. Shelf Capacity



Solid Steel Handle with Padlock Hasp



All Welded Steel Hinge



General Storage

All welded 12 gauge steel construction - 14 gauge steel adjustable shelves - all welded door hinges - 3 point door lock with heavy duty steel padlocking handle.

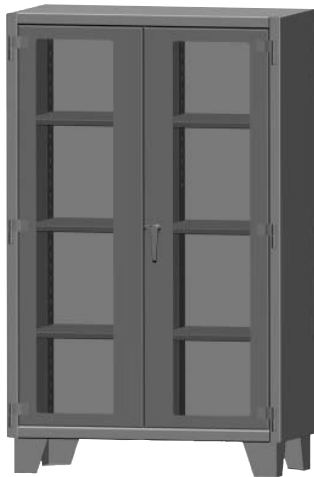
	O.A.H	Cab Ht.	36" w	48" w	60" w	72" w	Shelves
24" Deep	54"	48"	EX-483-1	EX-484-1	EX-485-1	EX-486-1	3
	66"	60"	EX-603-1	EX-604-1	EX-605-1	EX-606-1	4
	84"	78"	EX-783-1	EX-784-1	EX-785-1	EX-786-1	4
	90"	84"	EX-843-1	EX-844-1	EX-845-1	EX-846-1	5
	Extra Shelf Model Number		E-SH243	E-SH244	E-SH245	E-SH246	



Divided Wardrobe/Storage

Cabinet features divided interior with 1/2 width-hanger rod for garments on one side and 1/2 width adjustable shelves on the other - 3 point door lock with heavy duty steel padlocking handle.

	O.A.H	Cab Ht.	36" w	48" w	60" w	72" w	Shelves
24" Deep	54"	48"	EX-483-2	EX-484-2	EX-485-2	EX-486-2	3
	66"	60"	EX-603-2	EX-604-2	EX-605-2	EX-606-2	4
	84"	78"	EX-783-2	EX-784-2	EX-785-2	EX-786-2	4
	90"	84"	EX-843-2	EX-844-2	EX-845-2	EX-846-2	5
	Extra Shelf Model Number		SH243	SH244	SH245	SH246	



Vision Door General Storage

General storage cabinet with 1/4" polycarbonate panels in front doors - 14 gauge adjustable shelves - all welded door hinges - 3 point door lock with heavy duty steel padlocking handle.

	O.A.H	Cab Ht.	36" w	48" w	60" w	72" w	Shelves
24" Deep	54"	48"	EX-483-1C	EX-484-1C	EX-485-1C	EX-486-1C	3
	66"	60"	EX-603-1C	EX-604-1C	EX-605-1C	EX-606-1C	4
	84"	78"	EX-783-1C	EX-784-1C	EX-785-1C	EX-786-1C	4
	90"	84"	EX-843-1C	EX-844-1C	EX-845-1C	EX-846-1C	5
	Extra Shelf Model Number		E-SH243	E-SH244	E-SH245	E-SH246	



Bin Storage

Cabinet features two separate storage compartments - Independent heavy duty 3 point padlock handle on doors - 14 gauge adjustable shelves - all welded door hinges.

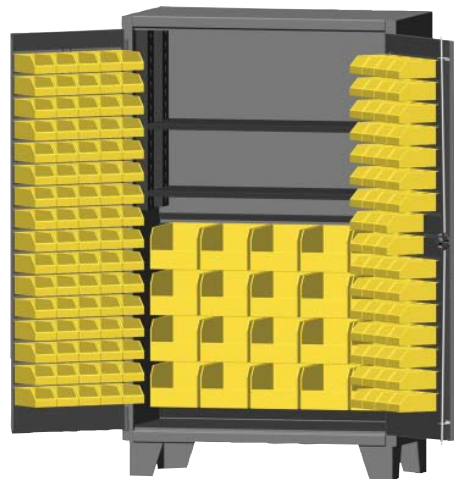
Size	Model Number	Small Bins	Large Bins
36" w x 24" d x 84" h	EX-723-1BS3	94	0
48" w x 24" d x 84" h	EX-724-1BS3	142	0



Bin Storage

All welded 12 gauge steel construction - Large bins measure 8.25" w x 14.75" d x 7" h - Small bins measure 4.125" h x 7.375" d x 3" h - Three point door lock with heavy duty steel padlocking handle.

Size	Model Number	Small Bins	Large Bins
36" w x 24" d x 84" h	EX-723-1B	94	32
48" w x 24" d x 84" h	EX-724-1B	142	40



Bin Storage

All welded 12 gauge steel construction - (3) adjustable shelves - Large bins measure 8.25" w x 14.75" d x 7" h - Small bins measure 4.125" h x 7.375" d x 3" h - One adjustable shelf - Three point door lock with heavy duty steel padlocking handle.

Size	Model Number	Small Bins	Large Bins
36" w x 24" d x 84" h	EX-723-1BS3	94	16
48" w x 24" d x 84" h	EX-724-1BS3	142	20



14 Drawer Storage

All welded 12 gauge steel construction - Cabinet features (14) lower drawers measuring 4" d - Drawers mounted on full extension glides with a 250 lb capacity - Divided cabinet has two (2) point door locks with heavy duty steel handle - (4) shelves (2 adjustable) with a weight capacity of 1850 lbs per shelf.

Size	Model Number	Drawers	Shelves
60" w x 24" d x 84" h	EX-4200-60	14	4
72" w x 24" d x 84" h	EX-4200-72	14	4



6 Drawer Storage

All welded 12 gauge steel construction - Cabinet features (6) mid-mount drawers measuring 4" d - Drawers mounted on full extension glides with a 250 lb capacity - Divided cabinet features two (3) point door locks with heavy duty steel padlocking handle - (6) shelves (4 adjustable) with a weight capacity of 1850 lbs per shelf.

Size	Model Number	Drawers	Shelves
60" w x 24" d x 84" h	EX-4300-60	6	6
72" w x 24" d x 84" h	EX-4300-72	6	6



Bin Storage/Tool Panel

All welded 12 gauge steel construction - Door mounted small bins measure 4.125" h x 7.375" d x 3" h - Steel tool panel with .375 square holes on 1.5" centers - Three point door lock with heavy duty steel padlocking handle.

Size	Model Number	Small Bins	Large Bins
36" w x 24" d x 84" h	EX-723-1BTP	94	0
48" w x 24" d x 84" h	EX-724-1BTP	142	0



Bin Storage/Tool Panel

All welded 12 gauge steel construction - Door mounted small bins measure 4.125" h x 7.375" d x 3" h - Large bins measure 8.25" w x 14.75" d x 7" h - Steel tool panel with .375 square holes on 1.5" centers - Three point door lock with heavy duty steel padlocking handle.

Size	Model Number	Small Bins	Large Bins
36" w x 24" d x 84" h	EX-723-1BS3TP	94	16
48" w x 24" d x 84" h	EX-724-1BS3TP	142	20



Divided Tool Panel/Storage

All welded 12 gauge steel construction - Cabinet features divided interior with 1/2 width adjustable shelves on the left side - Steel tool panel with .375 square holes on 1.5" centers on right hand side - Three point door lock with heavy duty steel padlocking handle.

Size	Model Number	Drawers	Shelves
60" w x 24" d x 84" h	EX-845-2TP	0	4
72" w x 24" d x 84" h	EX-846-2TP	0	4



Divided Tool Panel

All welded 12 gauge steel construction - Cabinet features interior full height steel tool panels on both doors and back - Panels have .375 square holes on 1.5" centers - Three point door lock with heavy duty steel padlocking handle.

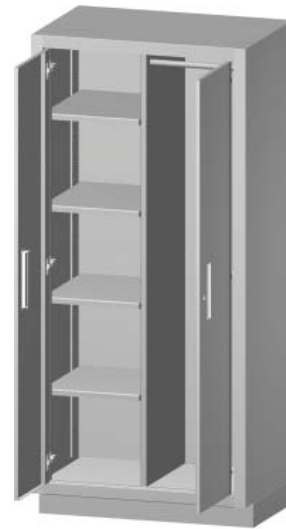
Size	Model Number	Drawers	Shelves
60" w x 24" d x 84" h	EX-845-3TP	0	0
72" w x 24" d x 84" h	EX-846-3TP	0	0



General Storage

Double Door Storage Cabinet - All welded 16 gauge steel construction - Adjustable shelves - Recessed aluminum handles - Three point locking mechanism with cylinder style lock keyed alike - Recessed 4" kick riser - Floor levelers

	O.A.H	Cab Ht.	36"w	48"w	Shelves
24" D	42"	38"	WC3-3642	WC3-4842	3
	72"	68"	WC3-3672	WC3-4872	4
	84"	81"	WC3-3684	WC3-4884	4
Extra Shelf Model Number			WC-36S	WC-48S	



Wardrobe/Storage

Double Door Wardrobe Cabinet - All welded 16 gauge steel construction - 1/2 width adjustable shelves - 1/2 width clothes hanger rod - Recessed aluminum handles - Three point locking mechanism with cylinder style lock keyed alike - Recessed 4" kick riser - Floor levelers

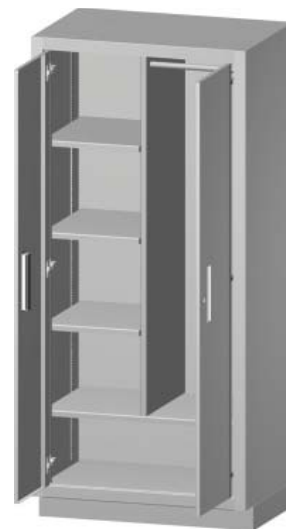
	O.A.H	Cab Ht.	36"w	48"w	Shelves
24" D	72"	68"	WC4-3672	WC4-4872	4
	84"	81"	WC4-3684	WC4-4884	4
	Extra Shelf Model Number			WC-36S-5	WC-48S-5



Wardrobe/Storage Fixed Upper Shelf

Double Door Wardrobe Cabinet - All welded 16 gauge steel construction - (1) fixed full width upper shelf - 1/2 width adjustable shelves - 1/2 width clothes hanger rod - Recessed aluminum handles - Three point locking mechanism with cylinder style lock keyed alike - Recessed 4" kick riser - Floor levelers

	O.A.H	Cab Ht.	36"w	48"w	Shelves
24" D	72"	68"	WC5-3672	WC5-4872	4
	84"	81"	WC5-3684	WC5-4884	4
	Extra Shelf Model Number			WC-36S-5	WC-48S-5



Wardrobe/Storage Lower Upper Shelf

Double Door Wardrobe Cabinet - All welded 16 gauge steel construction - (1) fixed full width lower shelf - 1/2 width adjustable shelves - 1/2 width clothes hanger rod - Recessed aluminum handles - Three point locking mechanism with cylinder style lock keyed alike - Recessed 4" kick riser - Floor levelers

	O.A.H	Cab Ht.	36"w	48"w	Shelves
24" D	72"	68"	WC6-3672	WC6-4872	4
	84"	81"	WC6-3684	WC6-4884	4
	Extra Shelf Model Number			WC-36S-5	WC-48S-5





Door/Drawer Combination

Overall size 48" w x 84" h x 24" d - 16 gauge steel all welded construction - (6) drawers with 200 lb bearing glides - Drawers mounted inside of full height doors - Upper section of doors have panel mounting rails - **Optional** 3/4" birch (blank) or 1/4" pegboard interior tool panels - Tools not included.

Model Number	Description
GTV-4200	Tool Cabinet Only
GTV-4200B	Tool Cabinet W/Blank Birch Panels
GTV-4200P	Tool Cabinet W/Peg Board Panels



Optional Birch Tool Panels Shown - Tools Not Included



Four Door Double Sided

Overall size 52" w x 65" h x 24" d - 16 gauge steel all welded construction - Double sided - (4) doors with heavy duty three point lock - **Optional** 3/4" birch (blank) or 1/4" pegboard interior tool panels - Tools not included.

Model Number	Description
GTV-5500	Tool Cabinet Only
GTV-5500B	Tool Cabinet W/Blank Birch Panels
GTV-5500P	Tool Cabinet W/Peg Board Panels



Tool/Bin Storage

Overall size 48" w x 84" h x 24" d - 16 gauge steel all welded construction - (2) doors with heavy duty three point lock - Upper section with panel mounting rails - (56) 4 1/8" w x 7 3/8" d x 3" h bins on doors - (6) 13.75" w x 19" d x 4.375" h totes - **Optional** 3/4" birch (blank) or 1/4" pegboard tool panels - Tools not included.

Model Number	Description
GTV-4400	Tool Cabinet Only
GTV-4400B	Tool Cabinet W/Blank Birch Panels
GTV-4400P	Tool Cabinet W/Peg Board Panels



Optional Peg Board Panels Shown



Door/Drawer Combination

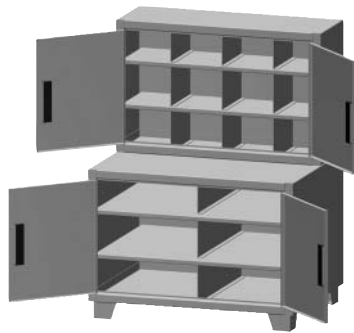
Overall size 48" w x 84" h x 24" d - 16 gauge steel all welded construction - (6) drawers with 200 lb bearing glides - Upper double door cabinet with panel mounting rails - **Optional** 3/4" birch (blank) or 1/4" pegboard interior tool panels - Tools not included.

Model Number	Description
GTV-4000	Tool Cabinet Only
GTV-4000B	Tool Cabinet W/Blank Birch Panels
GTV-4000P	Tool Cabinet W/Peg Board Panels

## Rod Storage Cabinet

- ▶ All welded construction of 14 gauge steel.
- ▶ Overall size: 48" w X 37" d X 64" h.
- ▶ Upper cabinet has 12 compartments to store welding electrodes.
- ▶ Lower cabinet has 6 compartments to store oxy-acetylene welding and TIG wires.
- ▶ Doors lock securely with a 3-point key locking system.
- ▶ Available in Safety Green, Safety Blue, or Structural Gray.

Model Number
GRV-1776



Interior View



## GR-Bin Storage

A great solution for storing larger bulk items that require easy access. Heavy duty polyethylene bins are available in red, blue, and gray. Ships standard with gray unless otherwise specified.

- ▶ Available in two standard widths.
- ▶ Formed 13 gauge steel uprights.
- ▶ Floor anchor pads.
- ▶ 16 gauge steel shelves
- ▶ Sturdy construction for long life.

Model Number	Description	Size	Number of Bins	Bin Size
GR-1836-75BN	Bin Shelving	36" w x 18" d x 75" h	15	17.5" l x 10.875" w x 12.5" h
GR-3042-75BN	Bin Shelving	42" w x 30" d x 75" h	10	28" l x 18" w x 12" h

### Replacement Bins:

Model Number	Description	Size
18200BN-RD	Red Plastic Bin	17.5" l x 10.875" w x 12.5" h
18200BN-BL	Blue Plastic Bin	17.5" l x 10.875" w x 12.5" h
18200BN-GR	Gray Plastic Bin	17.5" l x 10.875" w x 12.5" h
19200BN-RD	Red Plastic Bin	28" l x 18" w x 12" h
19200BN-BL	Blue Plastic Bin	28" l x 18" w x 12" h
19200BN-GR	Gray Plastic Bin	28" l x 18" w x 12" h

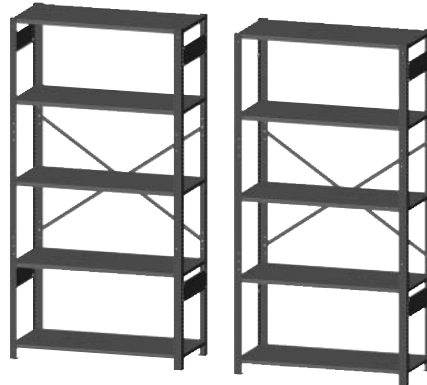


Ideal for storage of packaged material and other bulk items. Open design allows for high visibility. Shelving units are constructed from formed 13 gauge steel uprights with 16 gauge steel reinforced shelves. Shelves adjust on 1 1/2" centers. 400 lb capacity per shelf. Floor anchor pads.

- ▶ Available heights from 60"h to 96"h.
- ▶ Depths from 12"d to 30"d.
- ▶ Formed 13 gauge steel uprights.
- ▶ Floor anchor pads.
- ▶ Shelves adjust on 1 1/2" centers.
- ▶ Optional galvanized steel shelves.
- ▶ Sturdy construction for long life.



Reinforced Shelves



Starter Unit

Add On Unit

	# of Shelves	Height	12" Deep		18" Deep		24" Deep	
			Starter	Add-on	Starter	Add-On	Starter	Add-On
24" w	4	60	GR-1224-60.S	GR-1224-60.A	GR-1824-60.S	GR-1824-60.A	GR-2424-60.S	GR-2424-60.A
	4	72	GR-1224-72.S	GR-1224-72.A	GR-1824-72.S	GR-1824-72.A	GR-2424-72.S	GR-2424-72.A
	5	84	GR-1224-84.S	GR-1224-84.A	GR-1824-84.S	GR-1824-84.A	GR-2424-84.S	GR-2424-84.A
	5	96	GR-1224-96.S	GR-1224-96.A	GR-1824-96.S	GR-1824-96.A	GR-2424-96.S	GR-2424-96.A
30" w	4	60	GR-1230-60.S	GR-1230-60.A	GR-1830-60.S	GR-1830-60.A	GR-2430-60.S	GR-2430-60.A
	4	72	GR-1230-72.S	GR-1230-72.A	GR-1830-72.S	GR-1830-72.A	GR-2430-72.S	GR-2430-72.A
	5	84	GR-1230-84.S	GR-1230-84.A	GR-1830-84.S	GR-1830-84.A	GR-2430-84.S	GR-2430-84.A
	5	96	GR-1230-96.S	GR-1230-96.A	GR-1830-96.S	GR-1830-96.A	GR-2430-96.S	GR-2430-96.A
36" w	4	60	GR-1236-60.S	GR-1236-60.A	GR-1836-60.S	GR-1836-60.A	GR-2436-60.S	GR-2436-60.A
	4	72	GR-1236-72.S	GR-1236-72.A	GR-1836-72.S	GR-1836-72.A	GR-2436-72.S	GR-2436-72.A
	5	84	GR-1236-84.S	GR-1236-84.A	GR-1836-84.S	GR-1836-84.A	GR-2436-84.S	GR-2436-84.A
	5	96	GR-1236-96.S	GR-1236-96.A	GR-1836-96.S	GR-1836-96.A	GR-2436-96.S	GR-2436-96.A
48" w	4	60	GR-1248-60.S	GR-1248-60.A	GR-1848-60.S	GR-1848-60.A	GR-2448-60.S	GR-2448-60.A
	4	72	GR-1248-72.S	GR-1248-72.A	GR-1848-72.S	GR-1848-72.A	GR-2448-72.S	GR-2448-72.A
	5	84	GR-1248-84.S	GR-1248-84.A	GR-1848-84.S	GR-1848-84.A	GR-2448-84.S	GR-2448-84.A
	5	96	GR-1248-96.S	GR-1248-96.A	GR-1848-96.S	GR-1848-96.A	GR-2448-96.S	GR-2448-96.A

Modular shelving system allows storage of large bulk items, small parts, tooling, and supplies. Available in multiple drawer and shelf configurations. Standard 18" or 24" deep units. Available drawers are 36" w with a formed steel handle and label holder. Order as starter and add-on units.

- ▶ Available heights of 60" h to 96" h.
- ▶ Unit depths of 18" d and 24" d.
- ▶ Shelves adjust on 1 1/2" centers
- ▶ Optional galvanized steel shelves.
- ▶ Multiple drawer configurations.
- ▶ Optional side and back panels.
- ▶ All welded frame assemblies.



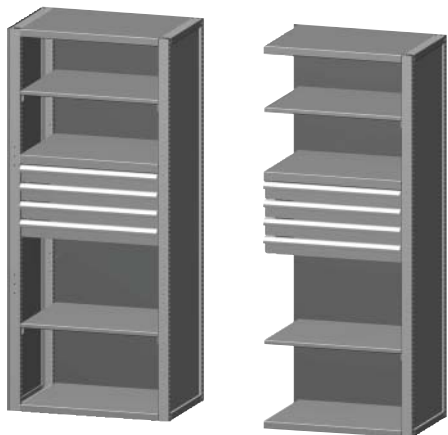
### Base Racks

	Height	18" Deep		24" Deep	
		Starter	Add-on	Starter	Add-On
36" w	84	GRC-1836-84.S	GRC-1836-84.A	GRC-2436-84.S	GRC-2436-84.A
	96	GRC-1836-96.S	GRC-1836-96.A	GRC-2436-96.S	GRC-2436-96.A
	120	GRC-1836-180.S	GRC-1836-180.A	GRC-2436-120.S	GRC-2436-120.A
	144	GRC-1836-144.S	GRC-1836-144.A	GRC-2436-144.S	GRC-2436-144.A
48" w	84	GRC-1848-60.S	GRC-1848-60.A	GRC-2448-60.S	GRC-2448-60.A
	96	GRC-1848-72.S	GRC-1848-72.A	GRC-2448-72.S	GRC-2448-72.A
	120	GRC-1848-84.S	GRC-1848-84.A	GRC-2448-84.S	GRC-2448-84.A
	144	GRC-1848-96.S	GRC-1848-96.A	GRC-2448-96.S	GRC-2448-96.A



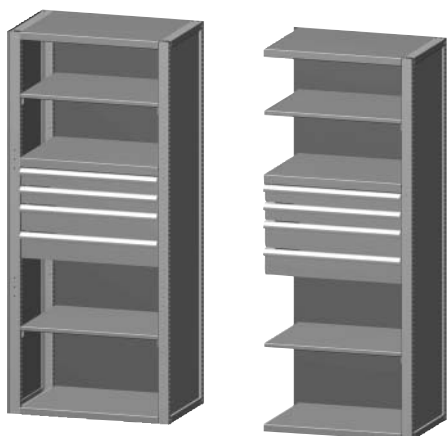
### Side Panels

	Rack Height	18" Deep Panels		24" Deep Panels	
		End Side Panel	Interior Side Panel	End Side Panel	Interior Side Panel
36" w and 48" w	84	GSP-1884-ED	GSP-1884-IN	GSP-2484-ED	GSP-2484-IN
	96	GSP-1896-ED	GSP-1896-IN	GSP-2496-ED	GSP-2496-IN
	120	GSP-18120-ED	GSP-18120-IN	GSP-24120-ED	GSP-24120-IN
	144	GSP-18144-ED	GSP-18144-IN	GSP-24144-ED	GSP-24144-IN



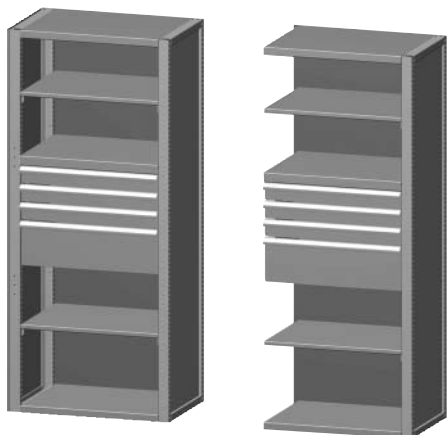
Series 360/480 pre-configured starter units are provided with (2) end and (1) back panels - Add on units are provided with (1) end panel and (1) back panel - Series 360 includes (4) 4", drawers - No divider kits see page (28) - (4) solid shelves - 84"h.

Width	18" Deep		24" Deep	
	Starter	Add-on	Starter	Add-On
36"	GRC-360-18S	GRC-360-18A	GRC-360-24S	GRC-360-24A
48"	GRC-480-18S	GRC-480-18A	GRC-480-24S	GRC-480-24A



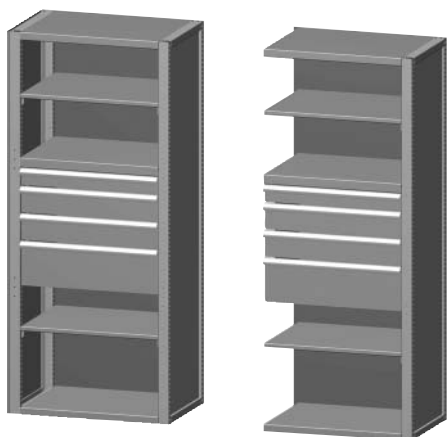
Series 361/481 pre-configured starter units are provided with (2) end and (1) back panels - Add on units are provided with (1) end panel and (1) back panel - Series 361 includes (2) 4", (2) 6" drawers - For optional divider kits see page (28) - (4) solid shelves - 84"h.

Width	18" Deep		24" Deep	
	Starter	Add-on	Starter	Add-On
36"	GRC-361-18S	GRC-361-18A	GRC-361-24S	GRC-361-24A
48"	GRC-481-18S	GRC-481-18A	GRC-481-24S	GRC-481-24A



Series 362/482 pre-configured starter units are provided with (2) end and (1) back panels - Add on units are provided with (1) end panel and (1) back panel - Series 362 includes (3) 4", (1) 10" drawers - For optional divider kits see page (28) - (4) solid shelves - 84"h.

Width	18" Deep		24" Deep	
	Starter	Add-on	Starter	Add-On
36"	GRC-362-18S	GRC-362-18A	GRC-362-24S	GRC-362-24A
48"	GRC-482-18S	GRC-482-18A	GRC-482-24S	GRC-482-24A



Series 363/483 pre-configured starter units are provided with (2) end and (1) back panels - Add on units are provided with (1) end panel and (1) back panel - Series 363 includes (1) 4", (2) 6", (1) 10" drawers - For optional divider kits see page (28) - (4) solid shelves - 84"h.

Width	18" Deep		24" Deep	
	Starter	Add-on	Starter	Add-On
36"	GRC-363-18S	GRC-363-18A	GRC-363-24S	GRC-363-24A
48"	GRC-483-18S	GRC-483-18A	GRC-483-24S	GRC-483-24A

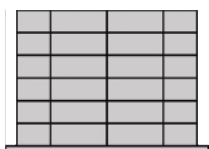


- ▶ Full extension drawer glides.
- ▶ 200lb capacity glides with up to 400 lb available.
- ▶ Integrated label holder in handle.
- ▶ 16 gauge drawer box.

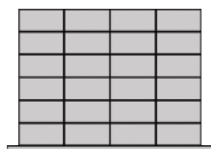


**Drawer Divider Kits**

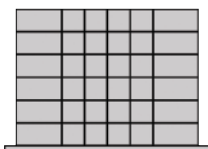
Drawer divider kits will assist in keeping your small parts organized and readily available. Choose from pre-configured kits or individual components to make your own drawer configuration. Slotted partitions adjust on 3/4" centers and run the full depth of the drawer.



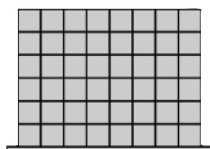
Configuration A



Configuration B



Configuration C



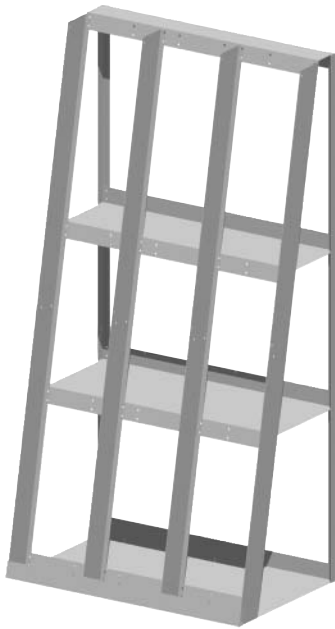
Configuration D

**Drawers**

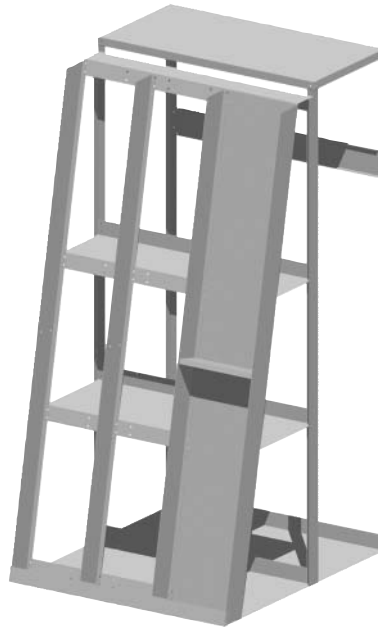
	Drawer Face Height	Inside Height	18" Deep	24" Deep
36" w	3"	2"	D36-183	D36-243
	4"	3"	D36-184	D36-244
	6"	5"	D36-186	D36-246
	7"	6"	D36-187	D36-247
	9"	8"	D36-189	D36-249
	10"	9"	D36-1810	D36-2410
	12"	11"	D36-1812	D36-2412
	13"	12"	D36-1813	D36-2413
48" w	3"	2"	D48-183	D48-243
	4"	3"	D48-184	D48-244
	6"	5"	D48-186	D48-246
	7"	6"	D48-187	D48-247
	9"	8"	D48-189	D48-249
	10"	9"	D48-1810	D48-2410
	12"	11"	D48-1812	D48-2412
	13"	12"	D48-1813	D48-2413

	Drawer Height	Divider Set	18" Deep	24" Deep
36" w	3"	A	DKT36-183A	DKT36-243A
	3"	B	DKT36-183B	DKT36-243B
	3"	C	DKT36-183C	DKT36-243C
	3"	D	DKT36-183D	DKT36-243D
	4"	A	DKT36-184A	DKT36-244A
	4"	B	DKT36-184B	DKT36-244B
	4"	C	DKT36-184C	DKT36-244C
	4"	D	DKT36-184D	DKT36-244D
	6" and Up	A	DKT36-186A	DKT36-246A
	6" and Up	B	DKT36-186B	DKT36-246B
	6" and Up	C	DKT36-186C	DKT36-246C
	6" and Up	D	DKT36-186D	DKT36-246D
48" w	3"	A	DKT48-183A	DKT48-243A
	3"	B	DKT48-183B	DKT48-243B
	3"	C	DKT48-183C	DKT48-243C
	3"	D	DKT48-183D	DKT48-243D
	4"	A	DKT48-184A	DKT48-244A
	4"	B	DKT48-184B	DKT48-244B
	4"	C	DKT48-184C	DKT48-244C
	4"	D	DKT48-184D	DKT48-244D
	6" and Up	A	DKT48-186A	DKT48-246A
	6" and Up	B	DKT48-186B	DKT48-246B
	6" and Up	C	DKT48-186C	DKT48-246C
	6" and Up	D	DKT48-186D	DKT48-246D

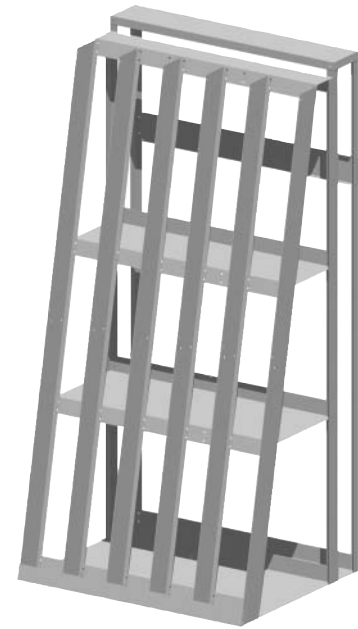
- ▶ Constructed of heavy 16 gauge steel with 11 gauge formed angle supports.
- ▶ 48" wide.
- ▶ Vertical storage compartments hold up to 12' lengths of stock.
- ▶ Bottom retaining rail keeps stock from shifting out of compartments.
- ▶ Horizontal shelves measure 12", 18", and 24" deep.
- ▶ Available in Structural Gray.



EL-277



EL-200



EL-279

Model Number	Vertical Storage Compartments	Sheet Storage	Overall Size
EL-277	3 @ 16"w	N/A	48"w x 30"d x 95.25"h
EL-200	3 @ 16"w	24"d	48"w x 54.5"d x 99"h
EL-279	5 @ 9.625"w	8"d	48"w x 48"d x 99"h

Compact Vertical Storage Rack

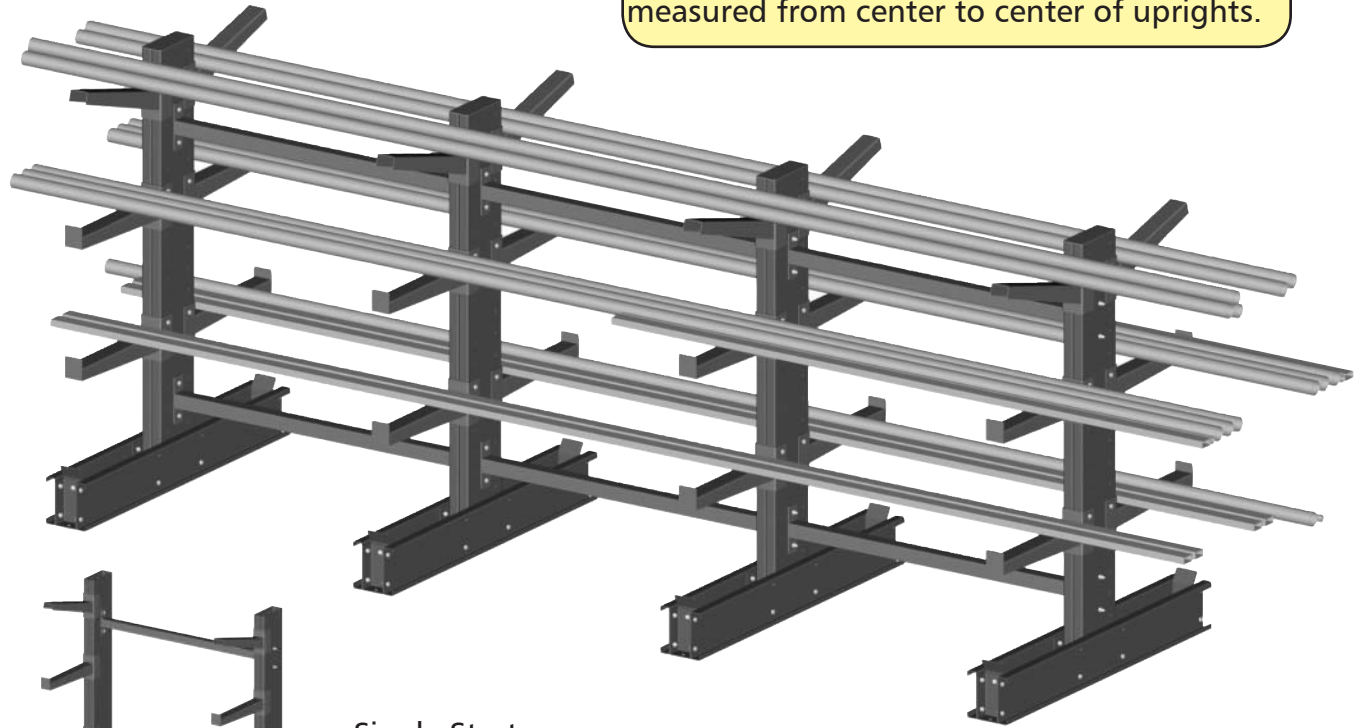
- ▶ Constructed of 11 gauge angle steel.
- ▶ Overall size: 36"w X 24"d X 84"h.
- ▶ Bottom retaining rail keeps stock from shifting out of compartments.
- ▶ Three 14 gauge horizontal shelves for holding shorts.
- ▶ Available in Structural Gray.



Model Number
EL-1900

Cantilever storage racks provide the perfect storage solution for bar stock, piping, and lumber. Upright assemblies constructed of heavy gauge steel are available in both single and double sided. We offer a wide selection of upright heights and material storage arms to fit a variety of materials.

**How to order:**  
 1. Determine upright type, height and base.  
 Note: Must purchase two uprights per starter unit; one per add-on unit.  
 2. Choose arm length and type desired.  
 3. Order one brace set per bay. Brace sets are measured from center to center of uprights.



Single Starter



Double Starter

Features

- ▶ Heavy 11 gauge steel construction.
- ▶ All welded upright channels.
- ▶ Floor anchor holes.
- ▶ 11 and 7 gauge shelf arms.
- ▶ Lower base can be used as bottom shelf.
- ▶ Large selection of rack arms available.

Rack Upright Brace

Model Number	Description	Size
GMCR-BR-24	Upright Brace	24" Center to Center
GMCR-BR-36	Upright Brace	36" Center to Center
GMCR-BR-48	Upright Brace	48" Center to Center
GMCR-BR-60	Upright Brace	60" Center to Center
GMCR-BR-72	Upright Brace	72" Center to Center
GMCR-BR-84	Upright Brace	84" Center to Center
GMCR-BR-96	Upright Brace	96" Center to Center
GMCR-BR-120	Upright Brace	120" Center to Center

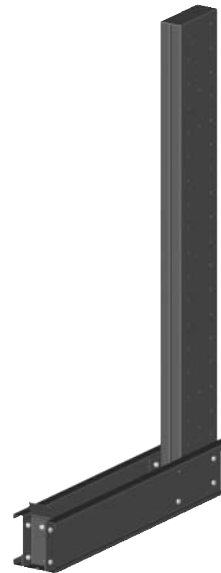


Upright Support Brace

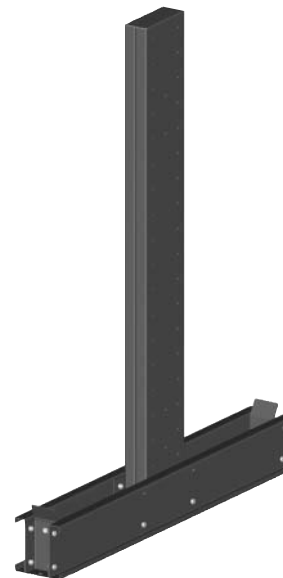


Rack Uprights

Base Depth	Height "	Max Arm Length "	Style	Model Number
36	36	24	Single Sided Upright	GMCRCR-100-36-36
36	36	12	Double Sided Upright	GMCRCR-200-36-36
38	60	24	Single Sided Upright	GMCRCR-100-60-38
50	60	36	Single Sided Upright	GMCRCR-100-60-50
62	60	48	Single Sided Upright	GMCRCR-100-60-62
59	60	24	Double Sided Upright	GMCRCR-200-60-59
83	60	36	Double Sided Upright	GMCRCR-200-60-83
107	60	48	Double Sided Upright	GMCRCR-200-60-107
38	72	24	Single Sided Upright	GMCRCR-100-72-38
50	72	36	Single Sided Upright	GMCRCR-100-72-50
62	72	48	Single Sided Upright	GMCRCR-100-72-62
59	72	24	Double Sided Upright	GMCRCR-200-72-59
83	72	36	Double Sided Upright	GMCRCR-200-72-83
107	72	48	Double Sided Upright	GMCRCR-200-72-107
38	84	24	Single Sided Upright	GMCRCR-100-84-38
50	84	36	Single Sided Upright	GMCRCR-100-84-50
62	84	48	Single Sided Upright	GMCRCR-100-84-62
59	84	24	Double Sided Upright	GMCRCR-200-84-59
83	84	36	Double Sided Upright	GMCRCR-200-84-83
107	84	48	Double Sided Upright	GMCRCR-200-84-107
38	96	24	Single Sided Upright	GMCRCR-100-96-38
50	96	36	Single Sided Upright	GMCRCR-100-96-50
62	96	48	Single Sided Upright	GMCRCR-100-96-62
59	96	24	Double Sided Upright	GMCRCR-200-96-59
83	96	36	Double Sided Upright	GMCRCR-200-96-83
107	96	48	Double Sided Upright	GMCRCR-200-96-107
38	120	24	Single Sided Upright	GMCRCR-100-120-38
50	120	36	Single Sided Upright	GMCRCR-100-120-50
62	120	48	Single Sided Upright	GMCRCR-100-120-62
59	120	24	Double Sided Upright	GMCRCR-200-120-59
83	120	36	Double Sided Upright	GMCRCR-200-120-83
107	120	48	Double Sided Upright	GMCRCR-200-120-107



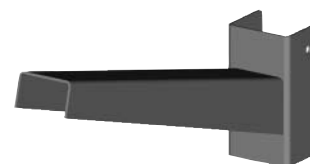
Single Sided Upright



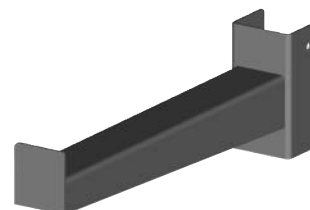
Double Sided Upright

Rack Arms

Model Number	Description	Size
GMCRCR-AR-24-00	Straight Arm - No Lip	24"
GMCRCR-AR-36-00	Straight Arm - No Lip	36"
GMCRCR-AR-48-00	Straight Arm - 1" Lip	48"
GMCRCR-AR-24-01	Straight Arm - 1" Lip	24"
GMCRCR-AR-36-01	Straight Arm - 1" Lip	36"
GMCRCR-AR-48-01	Straight Arm - 1" Lip	48"
GMCRCR-AR-24-02	Incline Arm - No Lip	24"
GMCRCR-AR-36-02	Incline Arm - No Lip	36"
GMCRCR-AR-48-02	Incline Arm - No Lip	48"



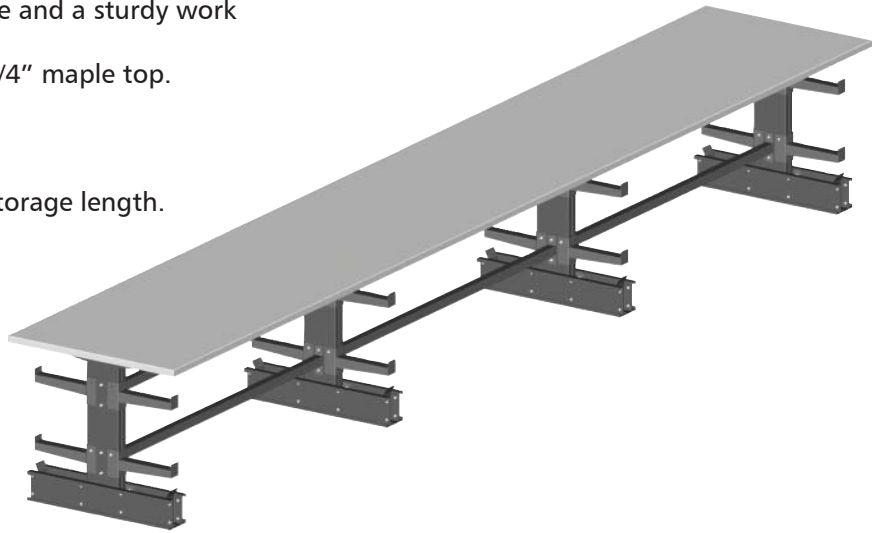
Incline Arm



Straight Arm

## GMCR-Work Bench

- ▶ Unique design combines material storage and a sturdy work bench.
- ▶ Available with 2" pan folded steel or 1 3/4" maple top.
- ▶ 36" or 48" wide top standard.
- ▶ Straight shelf arms with stop.
- ▶ Four arms per upright.
- ▶ Combine tables to match you required storage length.
- ▶ Available in Charcoal Gray.

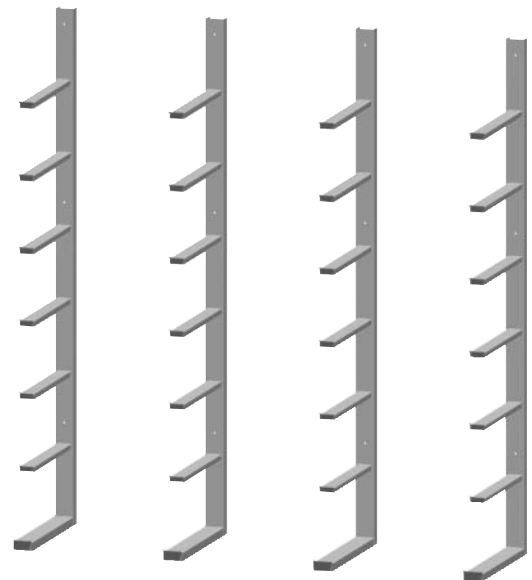


Model Number	Table Depth	Height	Table Length	Top Style	Arm Length	Number of Uprights
GMCR-3696.STL	36	42	96	Steel	12	2
GMCR-3696.M	36	42	96	Maple	12	2
GMCR-4896.STL	48	42	96	Steel	18	2
GMCR-4896.M	48	42	96	Maple	18	2
GMCR-36144.STL	36	42	144	Steel	12	3
GMCR-36144.M	36	42	144	Maple	12	3
GMCR-48144.STL	48	42	144	Steel	18	3
GMCR-48144.M	48	42	144	Maple	18	3



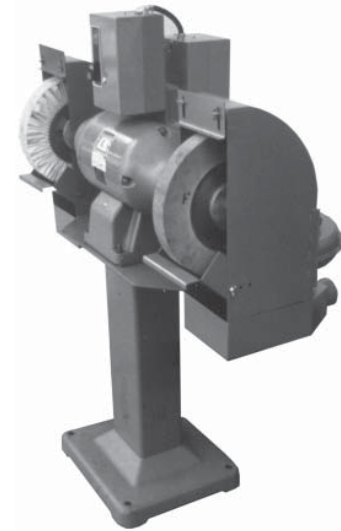
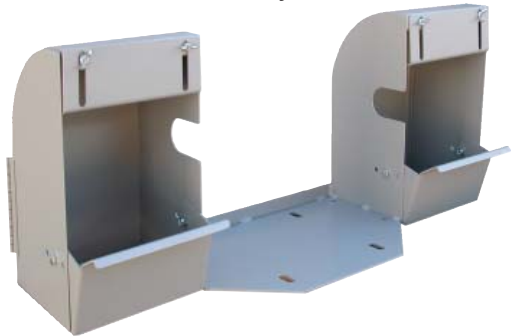
## Wall Mounted Storage Racks

- ▶ Upright is constructed of heavy gauge steel channel with 7 gauge steel shelves.
- ▶ Overall size per shelving unit: 3"w X 84"h.
- ▶ Shelving uprights may be purchased individually or as an assembly.
- ▶ Steel rack assembly includes (4) uprights, each with (7) 12"d shelves and a 13 1/2"d floor pad.
- ▶ Wood rack assembly includes (4) uprights, each with (7) 18"d shelves and a 20"d floor pad.
- ▶ Maximum capacity per shelf assembly is 1000 lbs.
- ▶ Available in Structural Gray.



Model Number	Description
GSR-4	Steel Rack Assembly
GWR-4	Wood Rack Assembly
GSR-4-S	Steel Single Upright
GWR-4-S	Wood Single Upright

- ▶ All welded construction of heavy 7 and 14 gauge steel.
- ▶ Designed for use with Baldor buffers.
- ▶ Meets OSHA requirements for most buffing wheel applications.
- ▶ Bottom rest and top clearance guide adjust for wheel wear.
- ▶ Side panel is hinged for easy wheel access.
- ▶ Optional bottom draw includes 2 rear vacuum discharge chambers and tube connectors for discharge hoses.
- ▶ Add the GSE-100S dust collector (p.17) to the bottom draw attachment for a complete guard/dust collection system.
- ▶ Outlet diameter is 3.00" for (BD) attachment
- ▶ Available in Structural Gray.



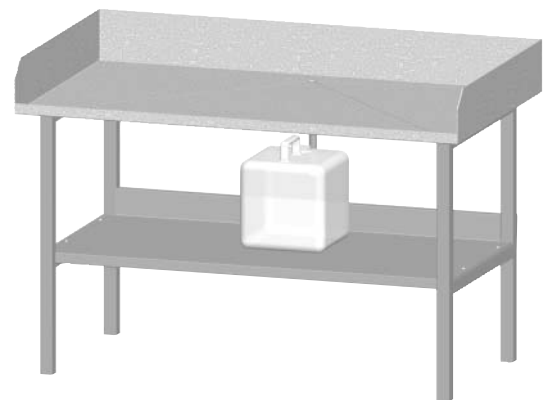
GBG buffer guard with bottom draw attachment shown on a Baldor buffer.

When ordering GMI buffer guards, please include Baldor model number to ensure a proper fit.

Model Number	Description
GBG-633	Guard Assembly for 6" Wheel Diameter
GBG-633.BD	Guard Assembly for 6" Wheel Diameter with Bottom Draw Attachment
GBG-833	Guard Assembly for 8" Wheel Diameter
GBG-833.BD	Guard Assembly for 8" Wheel Diameter with Bottom Draw Attachment
GBG-1033	Guard Assembly for 10" Wheel Diameter
GBG-1033.BD	Guard Assembly for 10" Wheel Diameter with Bottom Draw Attachment
GBG-1233	Guard Assembly for 12" Wheel Diameter
GBG-1233.BD	Guard Assembly for 12" Wheel Diameter with Bottom Draw Attachment
GBG-1433	Guard Assembly for 14" Wheel Diameter
GBG-1433.BD	Guard Assembly for 14" Wheel Diameter with Bottom Draw Attachment
GBG-1633	Guard Assembly for 16" Wheel Diameter
GBG-1633.BD	Guard Assembly for 16" Wheel Diameter with Bottom Draw Attachment

## Tear Down Bench

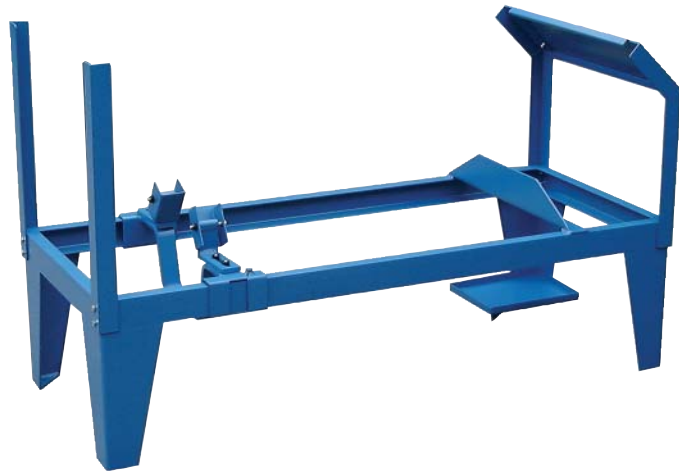
- ▶ Great for small engine and transmission work.
- ▶ All welded construction of heavy 11 gauge steel.
- ▶ Galvanized steel work surface with drain.
- ▶ Lower shelf with 2 gallon oil container.
- ▶ 2" h back and stops on work surface.
- ▶ Adjustable height legs from 27" to 35 1/2" h.
- ▶ Available in Structural Gray.



Model Number	Description
BA-305-TDB-GALV	30"d x 60"l Bench
BA-306-TDB-GALV	30"d x 72"l Bench
BA-307-TDB-GALV	30"d x 84"l Bench

## Auto/Diesel Engine Run Stands

- ▶ All welded construction of heavy gauge channel steel.
- ▶ Designed to hold most auto or heavy diesel engines for testing and instructional purposes.
- ▶ Heavy plate steel legs have either floor anchor pads or 5" locking heavy duty casters.
- ▶ Standard features include radiator mounting brackets, angled transmission brace, & battery holder.
- ▶ Slide carriage allows horizontal positioning.
- ▶ Comes with motor mounting side brackets for attaching motor mounts.
- ▶ Removable instrument panel is constructed of 16 gauge steel.
- ▶ Available in Safety Blue.



Description	Dimensions - O.A.	Model Number
Auto Engine Stand	26" w x 64" l x 42" h	GMI-104
Auto Engine Stand With Caster Kit	26" w x 64" l x 48" h	GMI-104C
Diesel Engine Stand	46" w x 72" l x 52" h	GMI-108
Diesel Engine Stand With Caster Kit	46" w x 72" l x 58" h	GMI-108C

## Engine Rotation Stand

Heavy duty engine build/rotation stand features a 3" diameter bearing guided shaft and an 80:1 gear reduction roll over - Position lock allows motor to be locked securely in position along the 360 degree rotation - Multiple drilled mounting head will accept most mounting arms - 5" heavy duty casters - Floor lock - Stainless steel drip pan - Will handle up to 10 cylinder builds.

- ▶ All welded heavy duty construction.
- ▶ 5" heavy duty casters.
- ▶ Stainless steel drip pan.
- ▶ Floor lock.
- ▶ Rotation position lock.
- ▶ Stainless tool tray.
- ▶ Overall size 34" w x 57" l x 41" h.



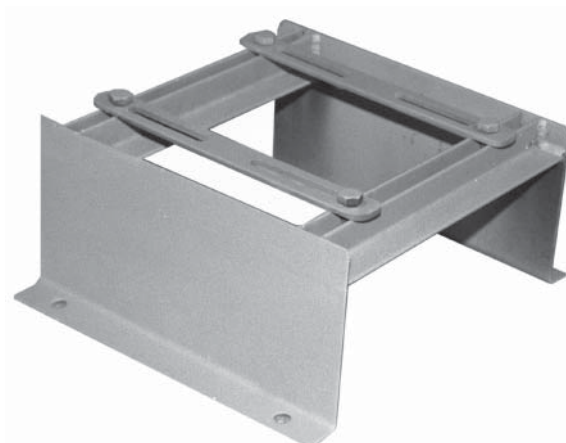
Model Number
GMR-1100-HD

Used by major auto builder for the high performance engine build program.

For more product info visit us at [www.greenemfg.com](http://www.greenemfg.com)

- ▶ All welded construction of heavy gauge steel.
- ▶ Overall Size: 9 1/2" w X 10" d X 4" h.
- ▶ Drilled mounting brackets adjust easily to hold horizontal or vertical engines firmly.
- ▶ Available in Structural Gray.

Model Number
EL-40



## Small Engine Exhaust

- ▶ All welded construction of 16 gauge steel.
- ▶ Overall height: 32".
- ▶ 12" Diameter outlet.
- ▶ Unit must be vented to the outside.
- ▶ Includes four 3" flex hoses with metal collector ends, two 60" long, two 40" long.
- ▶ Optional exhaust power head is powered by a 1/2HP, 110V motor with a maximum draw of 1800 CFM.
- ▶ Powerhead wired with cord and plug - Lighted on/off switch.
- ▶ Available in Safety Blue.



Description	Model Number
Wall Mounted - No Power	GEX-106
Wall Mounted W/Power Head	GEX-106P

## Mobile Tire Rack

- ▶ All welded construction of 12 gauge steel.
- ▶ Two shelf rack measures 18" d x 60" w x 66" h.
- ▶ Three shelf rack measures 18" d x 60" w x 84" h.
- ▶ Mobile rack available in two shelf configuration only.
- ▶ 5" heavy duty casters.
- ▶ Adjustable shelf positions.
- ▶ Available in a two or three shelf configuration.

Model Number	Description
GRT-2460-2.M	Mobile Two Shelf Tire Rack
GRT-2460-2	Fixed Two Shelf Tire Rack
GRT-2460-2	Fixed Three Shelf Tire Rack



GRT-2460-2.M Shown

# Extreme Duty Work Bench

Extreme Duty work stations are designed for the toughest applications and heaviest loads. Ideal for die work and heavy fabrication. Constructed from 3 1/2" diameter steel tubing uprights with a 3/8" solid steel plate top. 2" x 1/2" steel top and frame supports. Unit includes a fixed lower shelf with a 3/16 steel plate top and under frame support. Floor anchor pads with 5/8" diameter hole. All welded construction.

10,000 lbs Capacity



All work benches 36" high to top of work surface.

### 30" Deep Tables

Size	Description	Model Number
30"d x 48"l	Extreme Duty Work Bench	EX-3048
30"d x 60"l	Extreme Duty Work Bench	EX-3060
30"d x 72"l	Extreme Duty Work Bench	EX-3072
30"d x 84"l	Extreme Duty Work Bench	EX-3084
30"d x 96"l	Extreme Duty Work Bench	EX-3096

### 36" Deep Tables

Size	Description	Model Number
36"d x 48"l	Extreme Duty Work Bench	EX-3648
36"d x 60"l	Extreme Duty Work Bench	EX-3660
36"d x 72"l	Extreme Duty Work Bench	EX-3672
36"d x 84"l	Extreme Duty Work Bench	EX-3684
36"d x 96"l	Extreme Duty Work Bench	EX-3696

## Shop Stools

- ▶ All welded frame construction.
- ▶ GST-83 features 1 1/4" x 16 gauge square tube frame.
- ▶ Tempered hardboard seat cover.
- ▶ Floor glides.
- ▶ Standard non adjustable seat height is 26".

Model Number	Description
GST-83	Standard Fixed Height Stool 26"h
GST-83.1	Standard Fixed Height Stool 26"h with Back Rest

- ▶ All welded frame construction.
- ▶ GST-100 features 1" x 16 gauge round tube frame.
- ▶ Available with maple or steel seat.
- ▶ Floor glides.
- ▶ Standard non adjustable seat height is 26".
- ▶ Adjustable height model range is 18" to 27"h.

Model Number	Description
GST-100.M	Fixed Height Stool 26"h Maple Seat
GST-100.STL	Fixed Height Stool 26"h Metal Seat
GST-100.M-ADJ	Adjustable Height Stool 26"h Maple Seat
GST-100.STL-ADJ	Adjustable Height Stool 26"h Metal Seat

GST-83



GST-100



## Standard Terms and Conditions

Greene Manufacturing, Inc. reserves the right to change without notice, specification and size requirements to facilitate manufacturing processes.

## Warranty

Greene Manufacturing, Inc. warrants to the original purchaser each unit manufactured by GMI against factory defect in materials and workmanship for one (1) year from date of purchase.

If your unit should fail to operate properly during the first year after purchase, notify GMI by phone, fax or in writing within 30 days upon discovering the said defect. If your unit is found to have been damaged from shipping and handling, improper use or environmental conditions, it is not covered by the warranty and you will be advised in advance of repair costs.

Greene Manufacturing, Inc.'s liability coverage for defects in material and workmanship will be limited to repair or replacement by GMI. GMI shall in no event be liable for incidental, consequential, contingent or any other damages. This warranty does not obligate GMI to bear the cost of transportation charges in connection with the repair or replacement of defective parts.

## GMI Shipping Policy

As our terms are F.O.B. factory, Greene Manufacturing, Inc.'s responsibility to the merchandise ends when the transportation company issues its receipt to us. Freight claims must be made against the carrier by the consignee.

**GMI does not file freight claims.**

All merchandise is packed in compliance with carrier requirements. Examine all shipments carefully BEFORE ACCEPTANCE. If there is any indication of damage or shortage, request the delivering carrier to make a notation to this effect on the freight bill before signing it. Should damage be discovered after delivery, retain all packaging materials and request immediate inspection by the delivering carrier. Valid claims for concealed damage must be reported within 10 DAYS FROM RECEIPT OF SHIPMENT. Once the delivering carrier has a clear receipt for a shipment, they are no longer responsible for any shortages or damages. Greene Manufacturing, Inc. cannot accept merchandise returned due to shipping damage.

## Return Policy

All returns must be authorized by GMI prior to shipment and accompanied by a GMI issued returned goods authorization number. All authorized returns must be shipped freight PREPAID via UPS or motor carrier. GMI will accept no C.O.D. returns. Provide documents stating the contents, reason for return and return authorization number. All items to be returned must be packed in original packaging and in compliance with motor carrier specifications. There are no cancellations or returns on custom or special order items. All cancellations and returned items must be received within 30 days and are subject to a 25% restocking charge.



**IGMI**

Greene Manufacturing, Inc.

3985 S. Fletcher Road  
Chelsea, MI 48118

(800) 396-4642 Fax (734) 428-7672

[www.greenemfg.com](http://www.greenemfg.com)